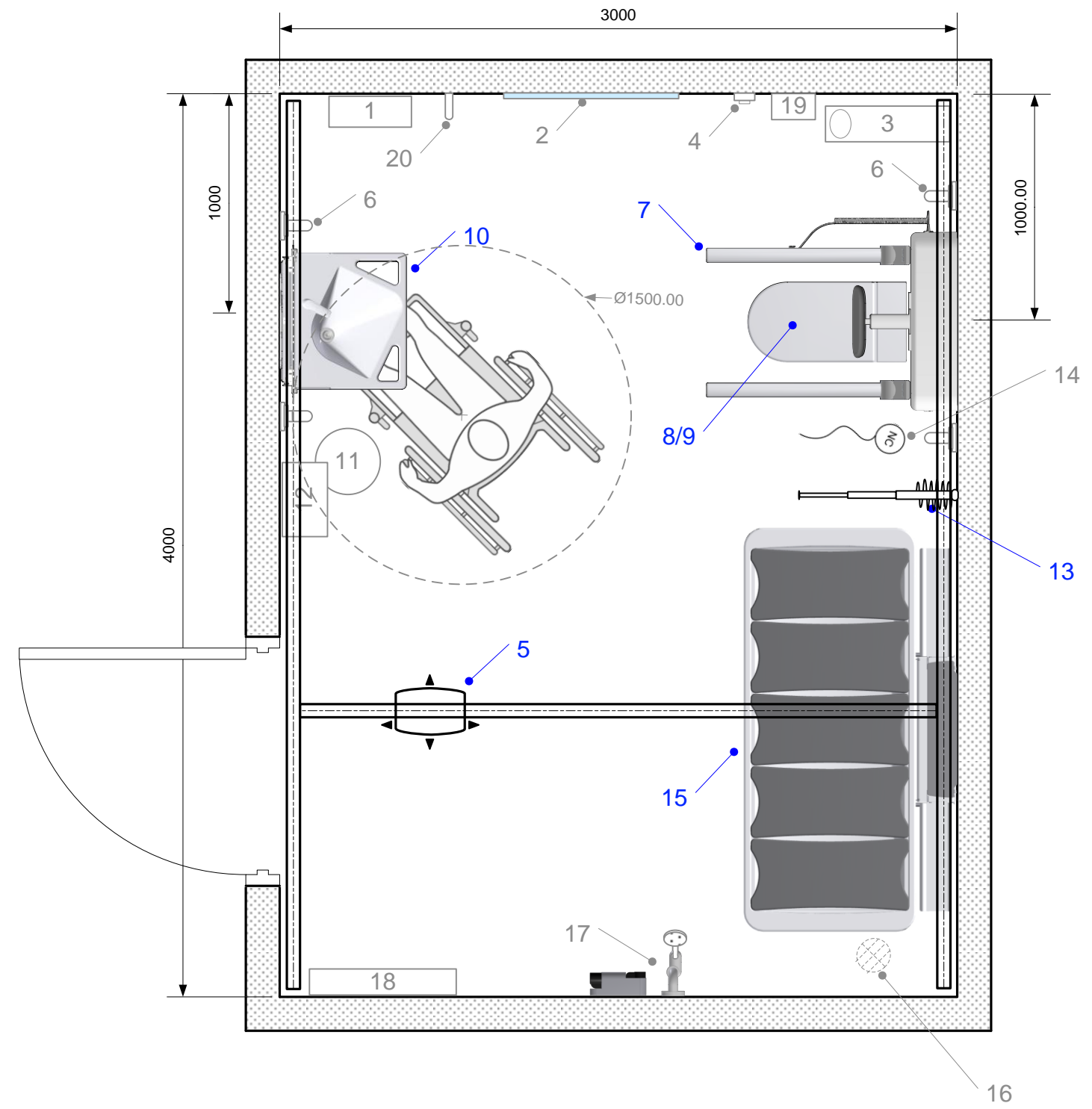


- 1 Paper towel dispenser
- 2 Full length mirror
- 3 Large sani bin
- 4 Alarm reset button
- 5 Guldmann XY hoist system
- 6 Vertical grab rails
- 7 Drop down grab rails – one c.w roll holder
- 8/9 Peninsular WC as BSI
or for enhanced specification a height adjustable or wash dry WC
- 10 Ropox height adjustable wash basin
- 11 Waste Bin
- 12 Hand dryer
- 13 Wall fixed Telescopic Privacy Curtain
- 14 Alarm pull
- 15 Ropox height adjustable bench
- 16 Floor drain
- 17 Shower unit
- 18 Couch roll dispenser
- 19 Sanitary towel dispenser
- 20 Two clothes hooks as BSI



Changing Concepts
Changing place layout

REV A Standard
Changing Place

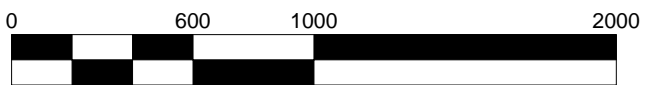
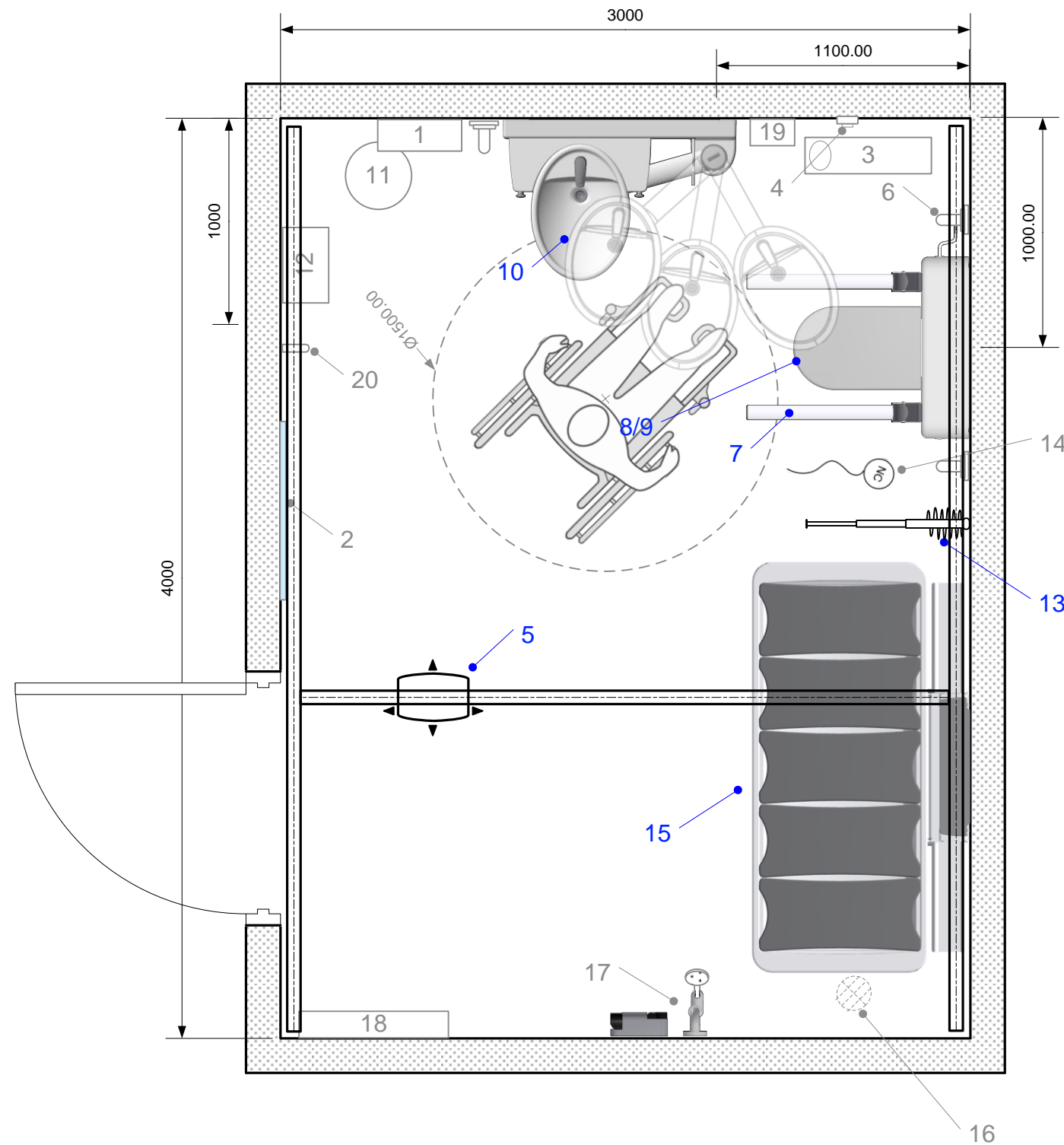
REV	DESCRIPTION	DATE

Please note: Diagram is for indicative purposes only, positions of equipment and dimensions are for visual aid only.



Do Not Scale

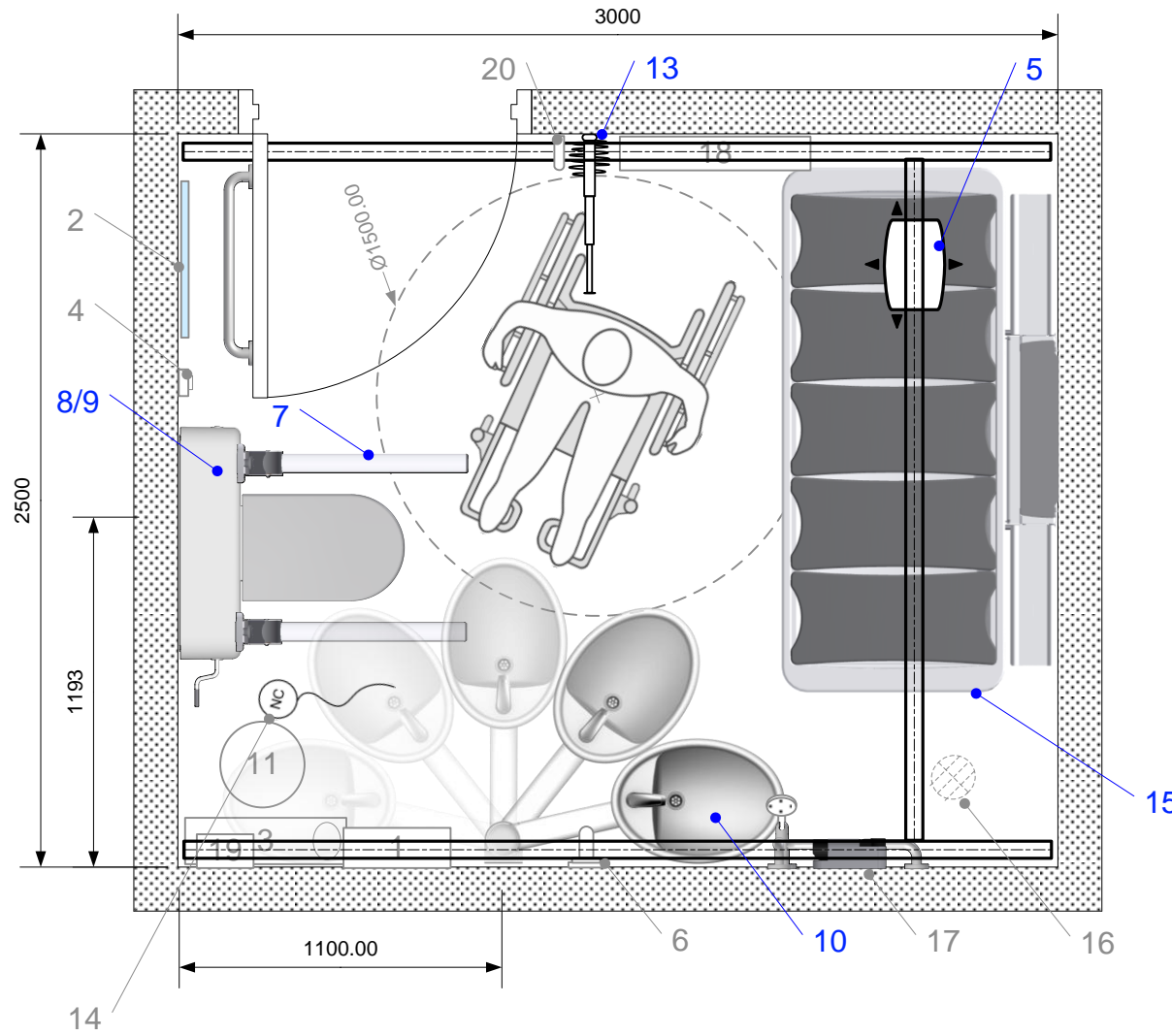
- 1 Paper towel dispenser
- 2 Full length mirror
- 3 Large sani bin
- 4 Alarm reset button
- 5 Guldmann XY hoist system
- 6 Vertical grab rails
- 7 Drop down grab rails – one c.w roll holder
- 8/9 Peninsular WC as BSI
or for enhanced specification a height adjustable or wash dry WC
- 10 Ropox Swing height adjustable wash basin
- 11 Waste Bin
- 12 Hand dryer
- 13 Wall fixed Telescopic Privacy Curtain
- 14 Alarm pull
- 15 Ropox Height adjustable bench
- 16 Floor drain
- 17 Shower unit
- 18 Couch roll dispenser
- 19 Sanitary towel dispenser
- 20 Two clothes hooks as BSI



Changing Concepts Changing place layout		
REV A	Standard With Swing Basin	
REV	DESCRIPTION	DATE

Please note: Diagram is for indicative purposes only, positions of equipment and dimensions are for visual aid only.

- 1 Paper towel dispenser
- 2 Full length mirror
- 3 Large sani bin
- 4 Alarm reset button
- 5 Guldmann XY hoist system
- 6 Vertical grab rails
- 7 Drop down grab rails – one c.w roll holder
- 8/9 Peninsular WC as BSI
or for enhanced specification a height adjustable or wash dry WC
- 10 Ropox Swing height adjustable wash basin
- 11 Waste Bin
- 12 Omitted – Hand dryer
- 13 Wall fixed Telescopic Privacy Curtain
- 14 Alarm pull
- 15 Ropox Height adjustable bench
- 16 Floor drain
- 17 Shower unit
- 18 Couch roll dispenser
- 19 Sanitary towel dispenser
- 20 Two clothes hooks as BSI



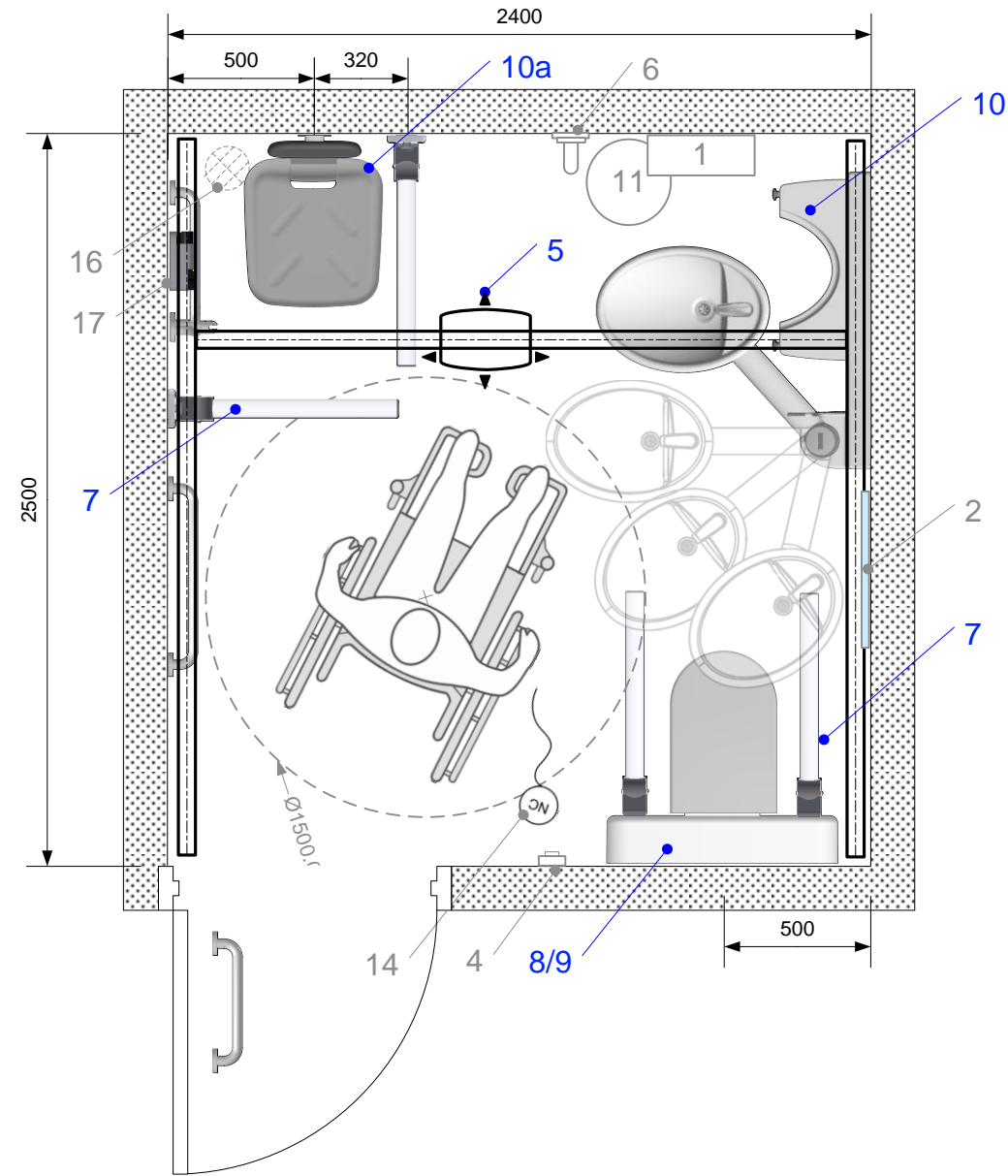
Changing Concepts		
Changing place layout		
REV A	Space To Change	
REV	DESCRIPTION	DATE

Please note: Diagram is for indicative purposes only, positions of equipment and dimensions are for visual aid only.



Do Not Scale

- 1 Paper towel dispenser
- 2 Full length mirror
- 3 Large sani bin
- 4 Alarm reset button
- 5 Guldmann XY hoist system
- 6 Vertical grab rails
- 7 Drop down grab rails – one c.w roll holder
- 8/9 Peninsular WC as BSI
or for enhanced specification a height adjustable or wash dry WC
- 10 Ropox Swing height adjustable wash basin
- 10a Ropox adjustable shower seat
- 11 Waste Bin
- 12 Omitted – hand dryer
- 13 Omitted - Wall fixed Telescopic Privacy Curtain
- 14 Alarm pull
- 15 Omitted - Ropox Height adjustable bench
- 16 Floor drain
- 17 Shower unit
- 18 Omitted - Couch roll dispenser
- 19 Sanitary towel dispenser
- 20 Two clothes hooks as BSI



Changing Concepts
Changing place layout

REV A	Shower/Toilet Room	
REV	DESCRIPTION	DATE

Please note: Diagram is for indicative purposes only, positions of equipment and dimensions are for visual aid only.

