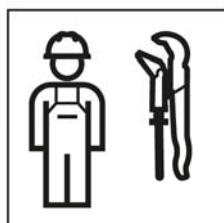


INSTALLATION MANUAL

MONTAGEANLEITUNG
INSTRUCTIONS DE MONTAGE
ISTRUZIONI PER IL MONTAGGIO



taylordolman

tel: 0845 838 0600
email: info@taylordolman.com
www.taylordolman.com

Warning message

**DANGER****Danger of fatal electric shock**

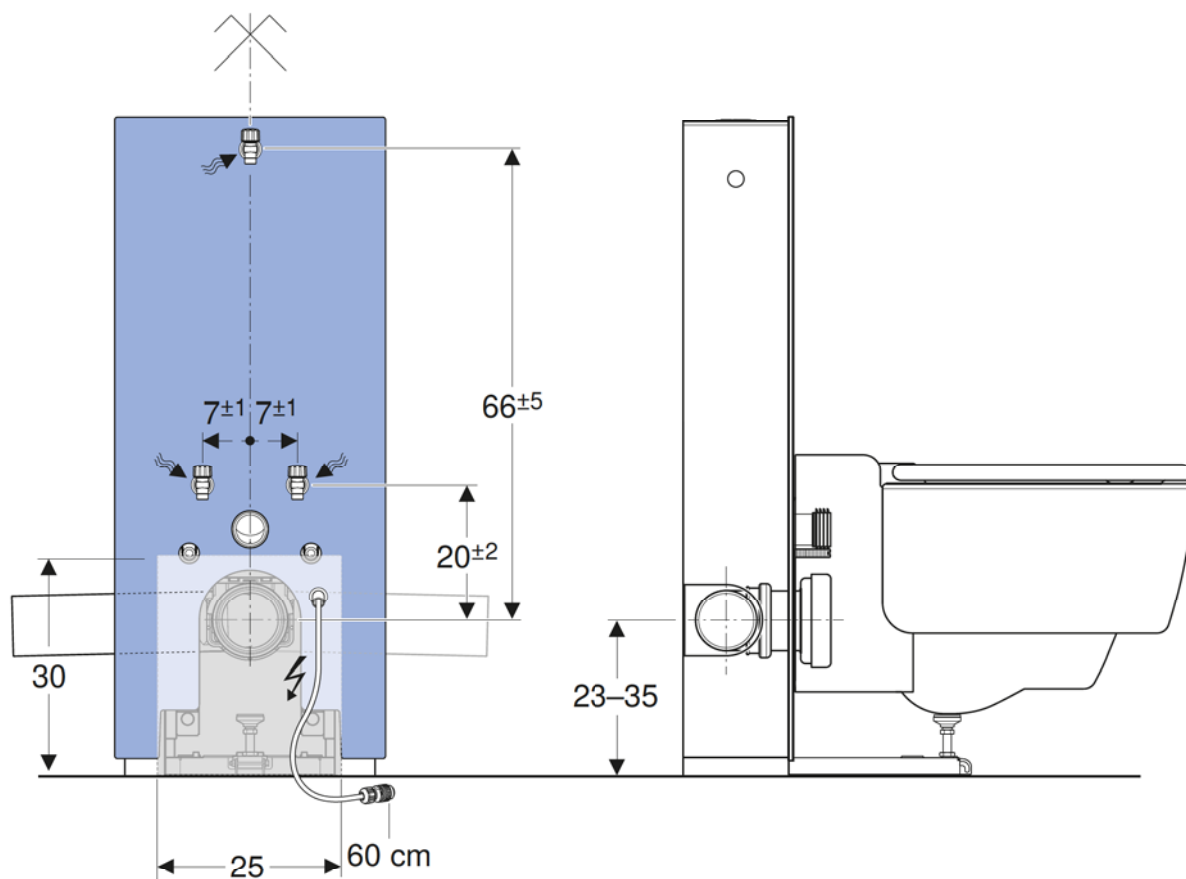
- ▶ The device may only be operated at power outlets or fixed connections with protective earthing.
-

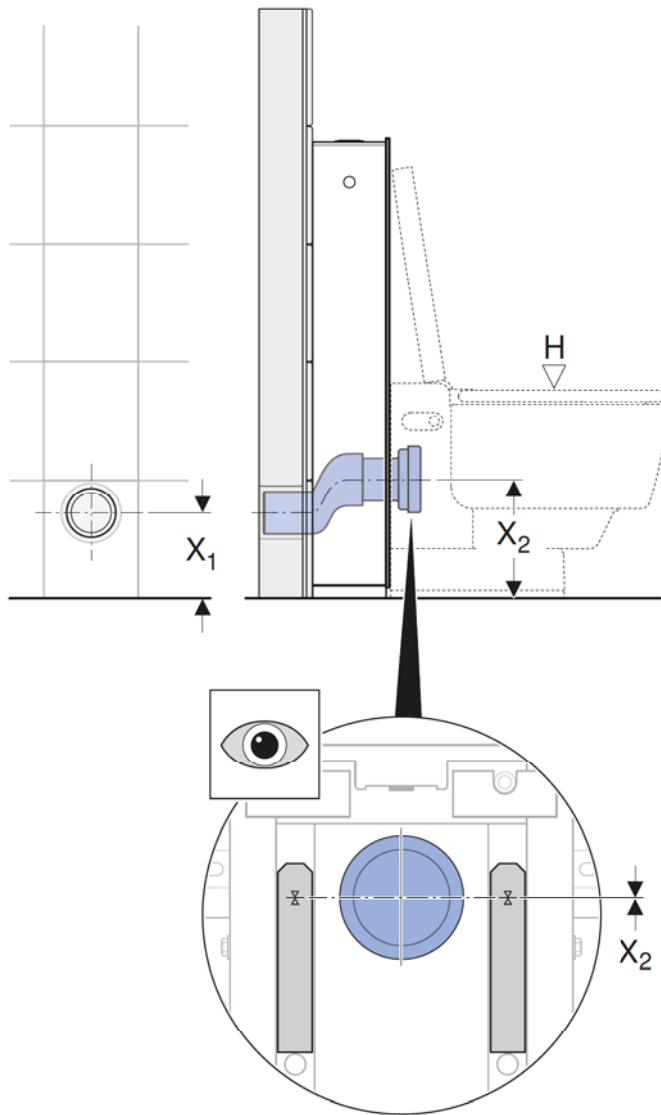
ATTENTION**Damage to hoses**





Only the hoses supplied are permitted to be used. Old hoses are not permitted to be reused.

Dimensions in cm

Installation dimensions for AquaClean Mera floor-standing WC Care



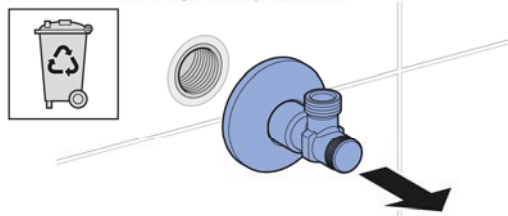


X ₁		X ₂	H
23	 0 cm	23	44 ^{±1}
24		24	45 ^{±1}
25		25	46 ^{±1}
26		26	47 ^{±1}
21	 3 cm	24	45 ^{±1}
22		25	46 ^{±1}
23		26	47 ^{±1}
24		27	48 ^{±1}
25		28	49 ^{±1}
26		29	50 ^{±1}
19	 5 cm	24	45 ^{±1}
20		25	46 ^{±1}
21		26	47 ^{±1}
22		27	48 ^{±1}
23		28	49 ^{±1}
24		29	50 ^{±1}
25		30	51 ^{±1}
26		31	52 ^{±1}
17	 7 cm	24	45 ^{±1}
18		25	46 ^{±1}
19		26	47 ^{±1}
20		27	48 ^{±1}
21		28	49 ^{±1}
22		29	50 ^{±1}
23		30	51 ^{±1}
24		31	52 ^{±1}
25		32	53 ^{±1}
26		33	54 ^{±1}
27		34	55
28	35	56	

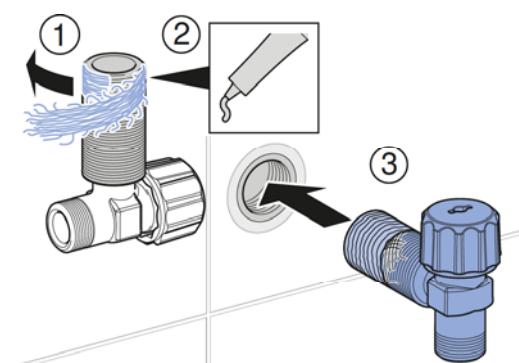
Installation

Mounting the angle stop valve

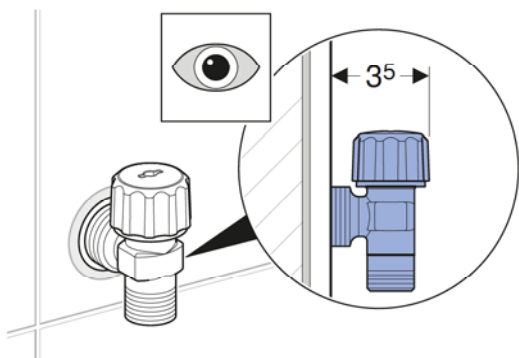
1 Remove the angle stop valve.



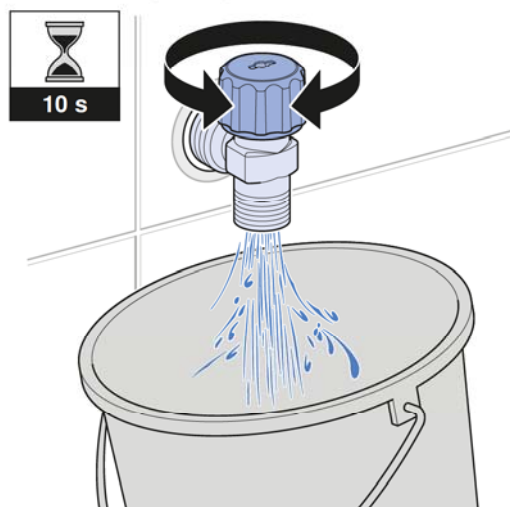
2 Seal the angle stop valve with hemp and mount it.



3 Check the dimensions of the angle stop valve.

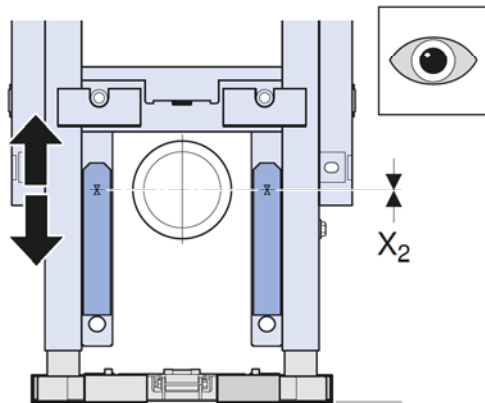
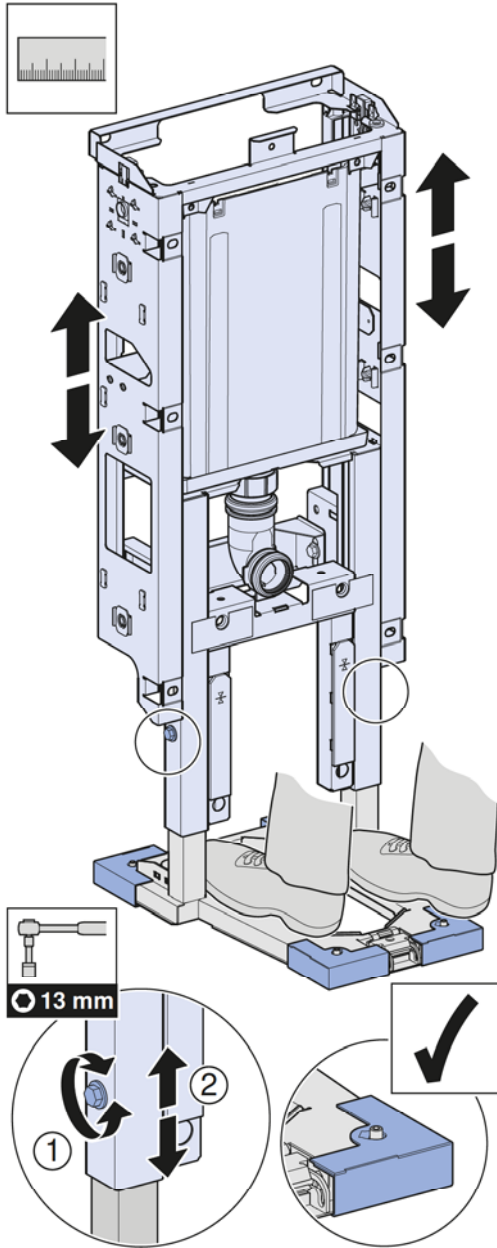


4 Flush the angle stop valve.

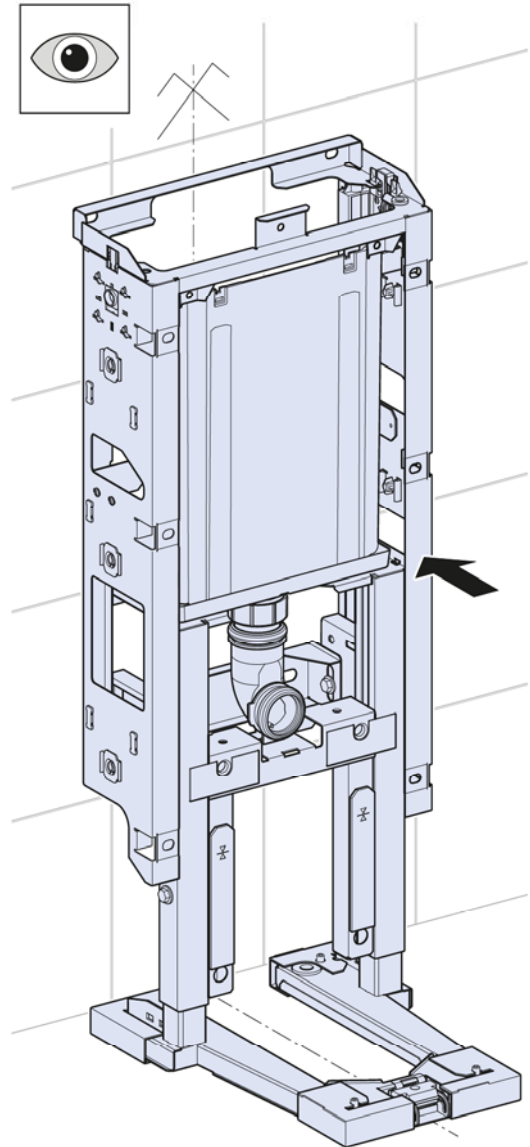


Mounting the frame

1 Adjust the frame height.

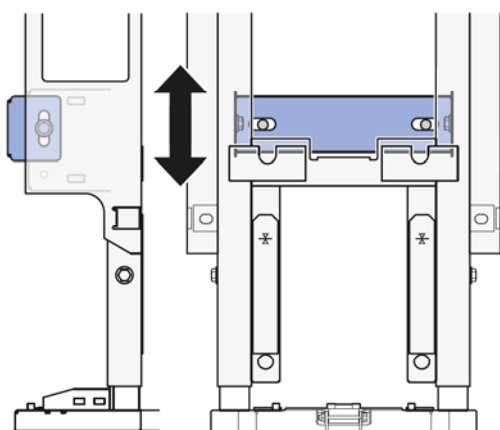
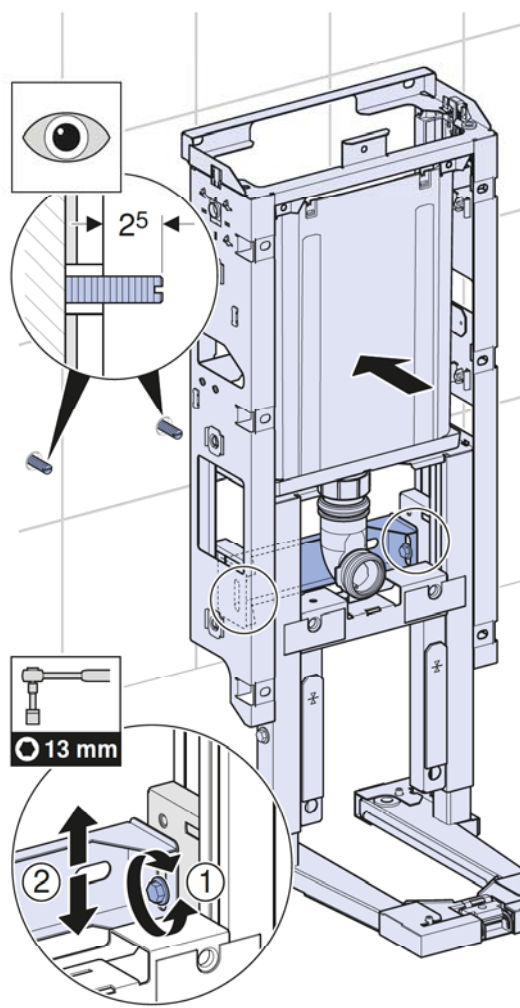


2 Position the frame.



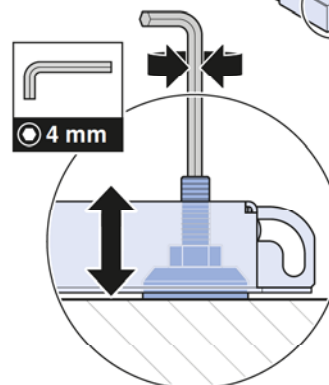
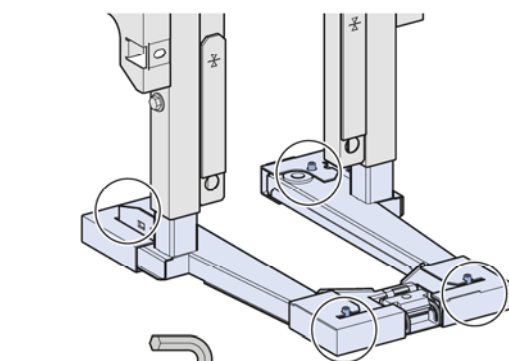
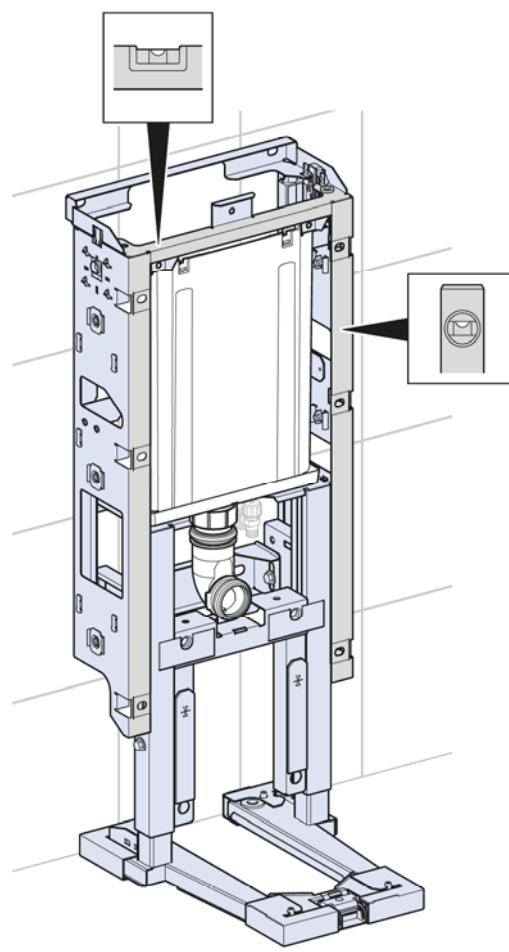


Align the crossbeam in the frame if the frame has to be aligned on existing threaded rods.

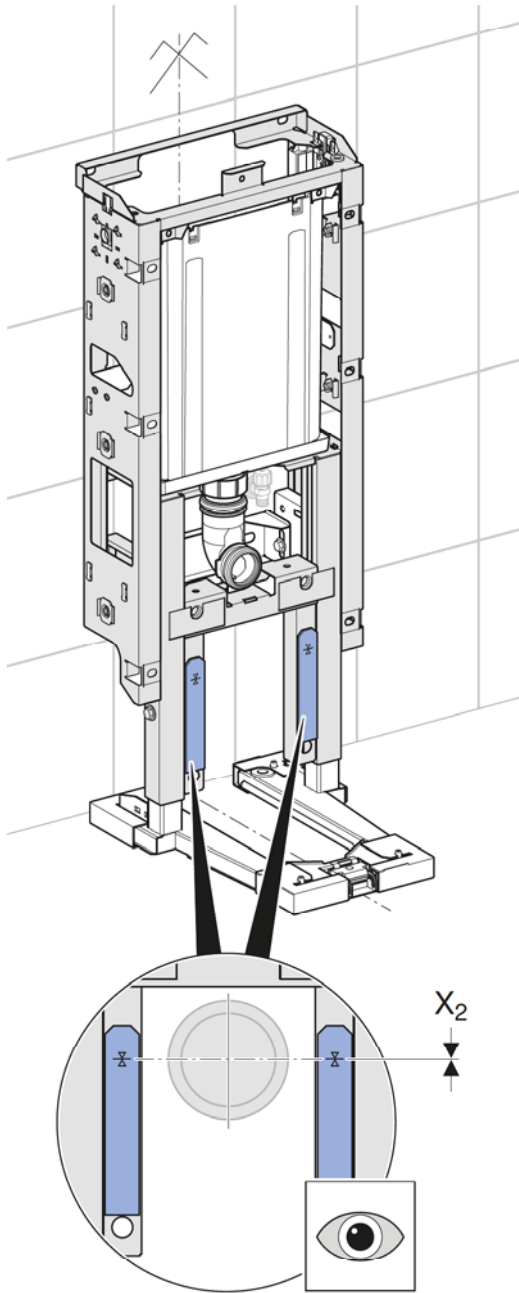


3

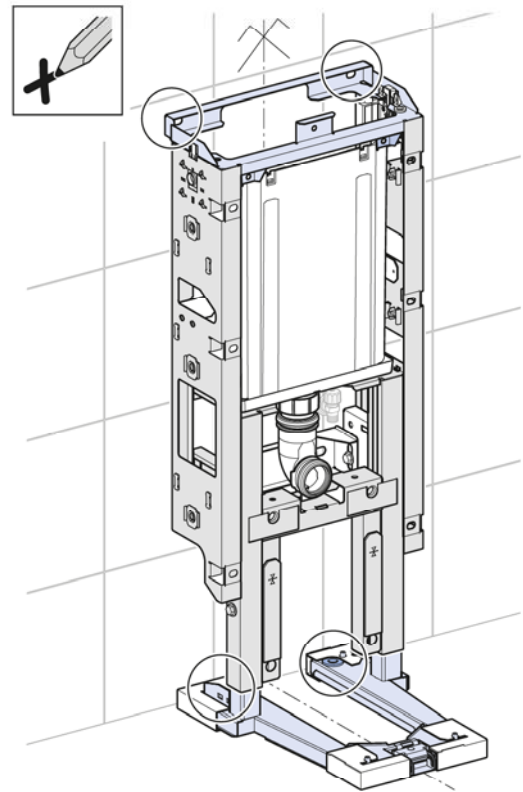
Align the foot screws. Check the vertical and horizontal frame alignment.



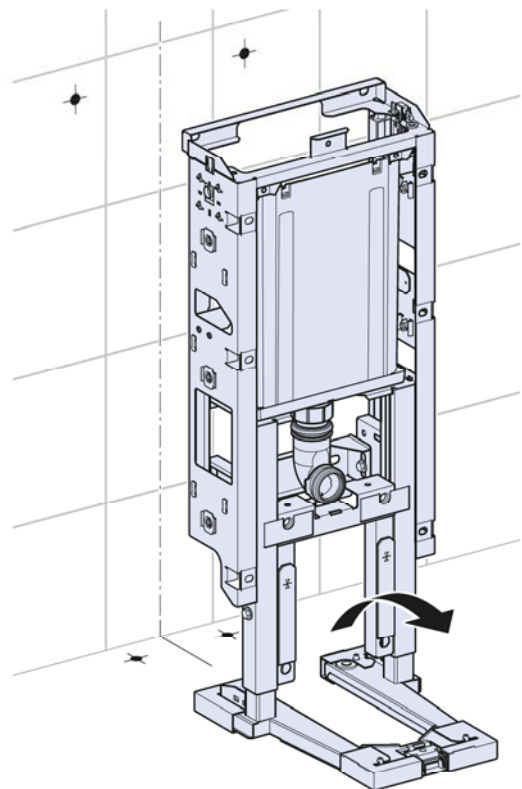
4 Align the frame so that it is centred.



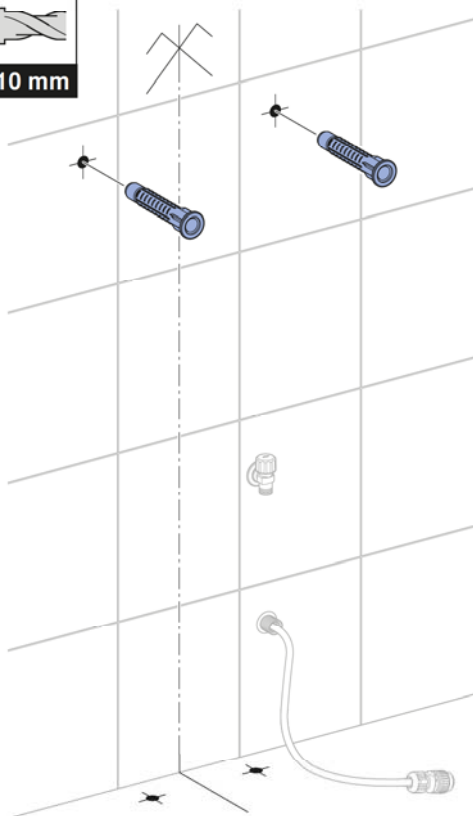
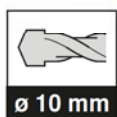
5 Mark the top and bottom fastening points.



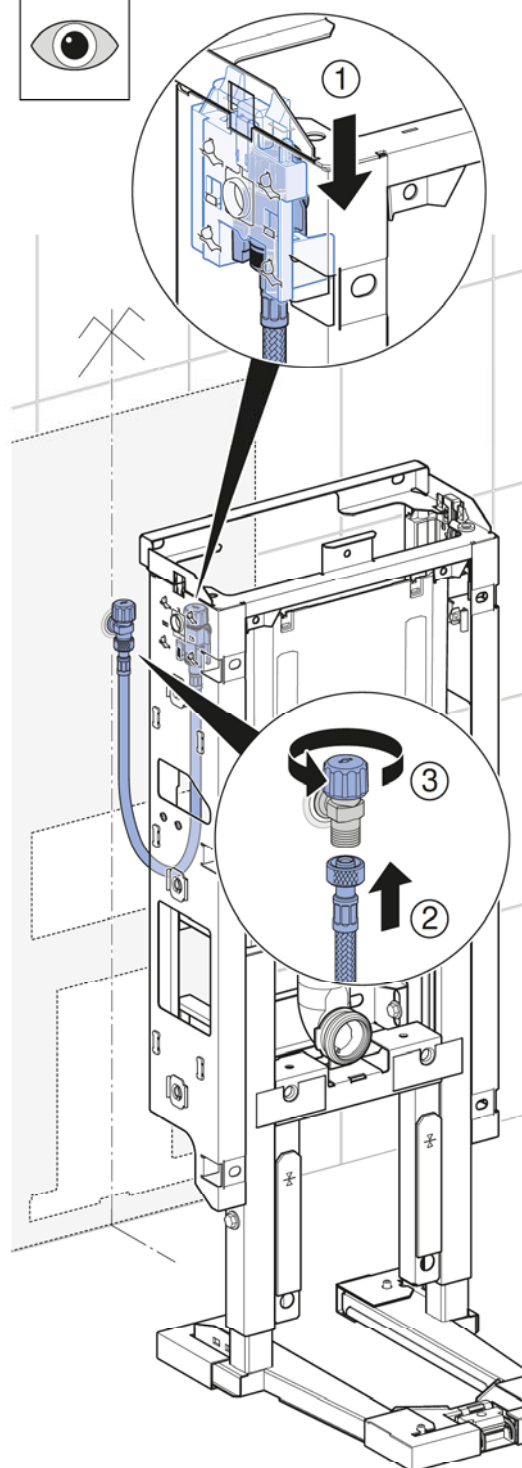
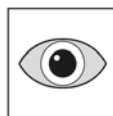
6 Remove the frame.



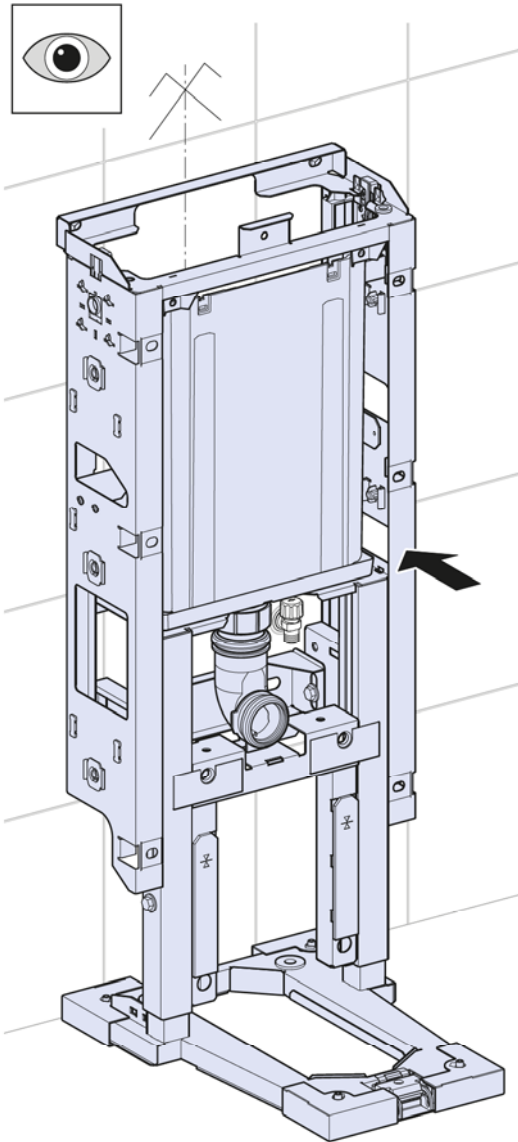
7 Drill the fixing holes.



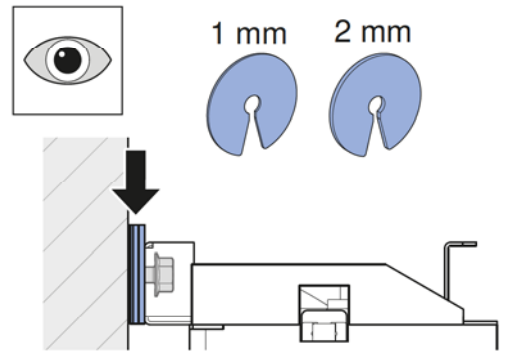
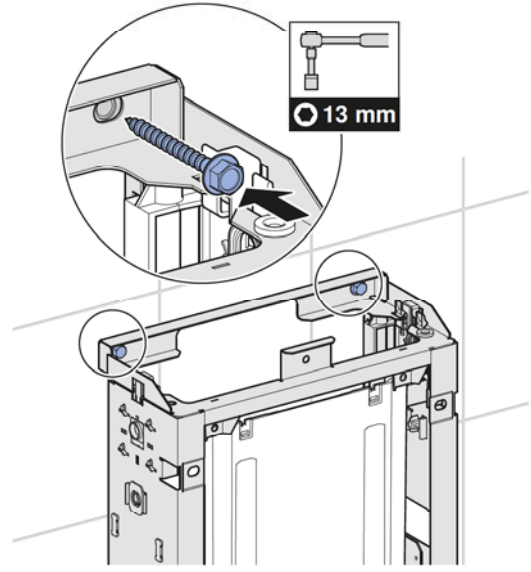
i Establish the rear centre water supply connection.



8 Position the frame.

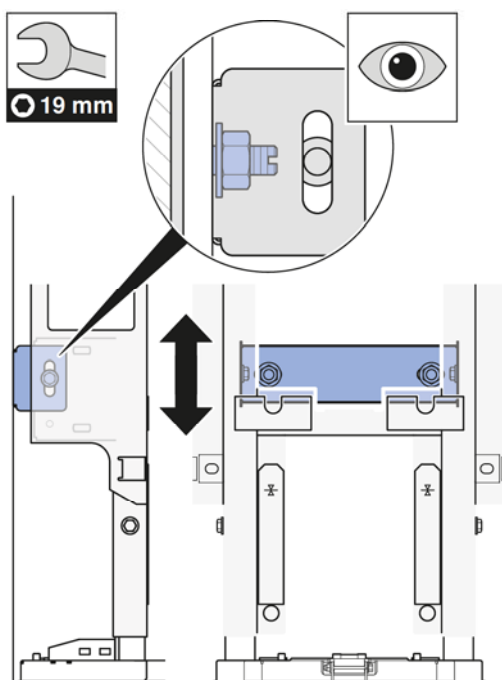


9 Mount the frame screws at the top.

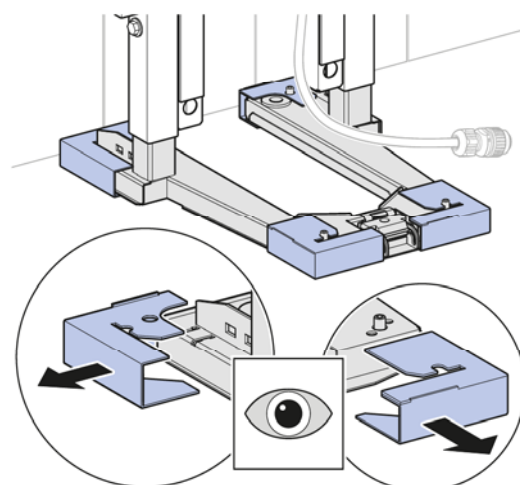
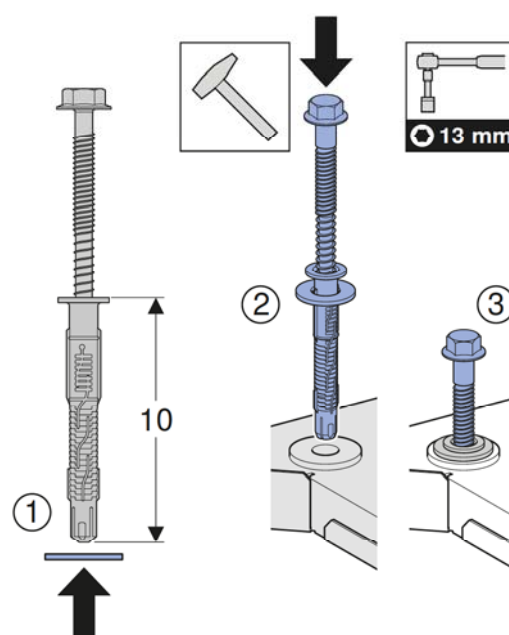
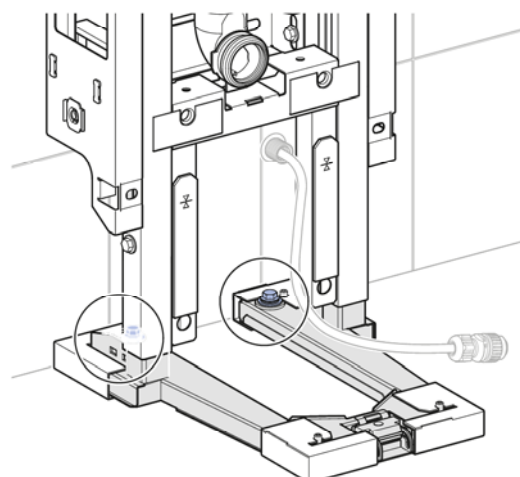




Adjust the frame if necessary.

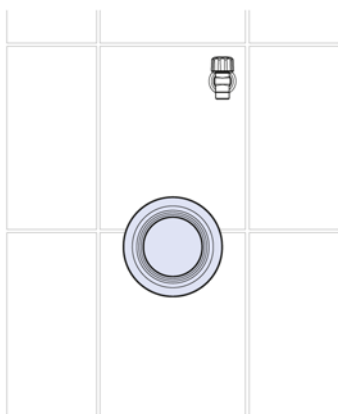


10 Mount the frame screws at the bottom.

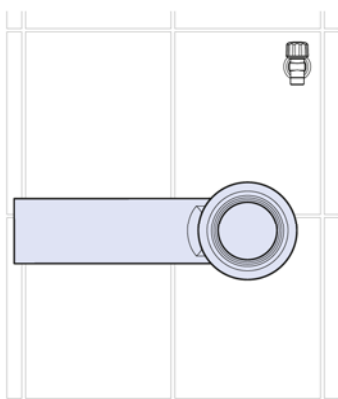


EN

Outlet pipe situation



"Mount the outlet pipe wall outlet", page 13

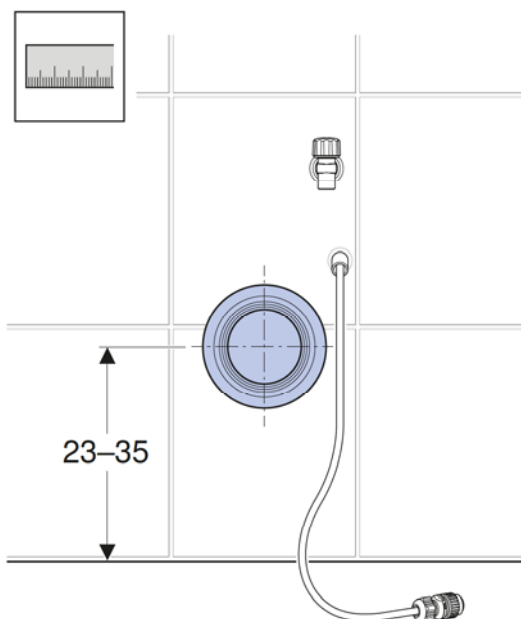


"Mounting the outlet pipe side outlet", page 14

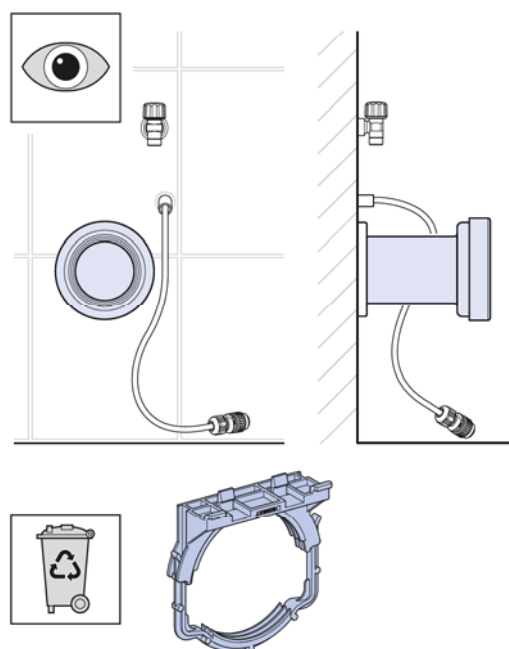
Mount the outlet pipe wall outlet

Prerequisite

- Installation dimensions of the outlet pipe wall outlet.



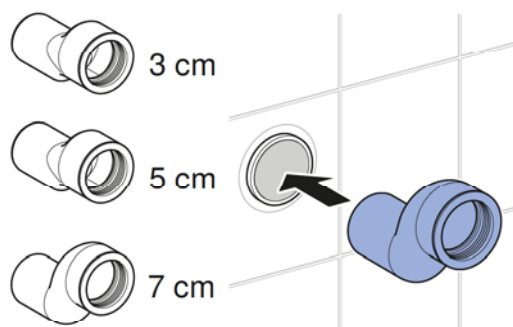
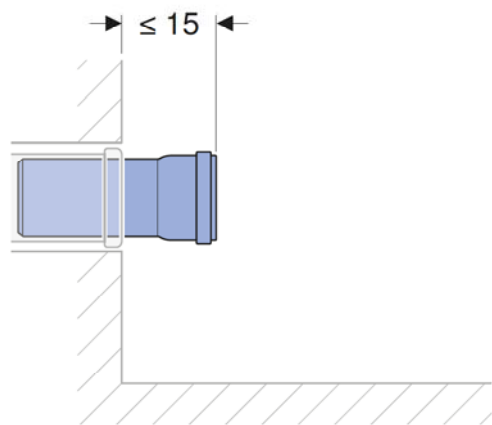
- ▶ Dispose of the pipe bracket.



See Mount the reinforced braided hoses.



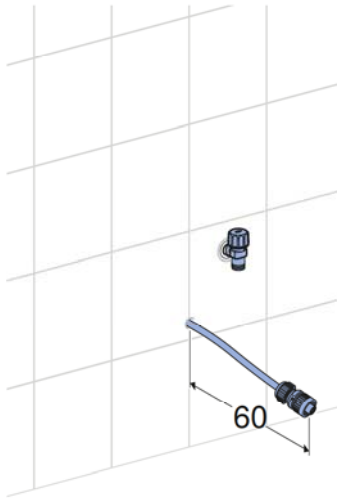
Mount the offset sheet.



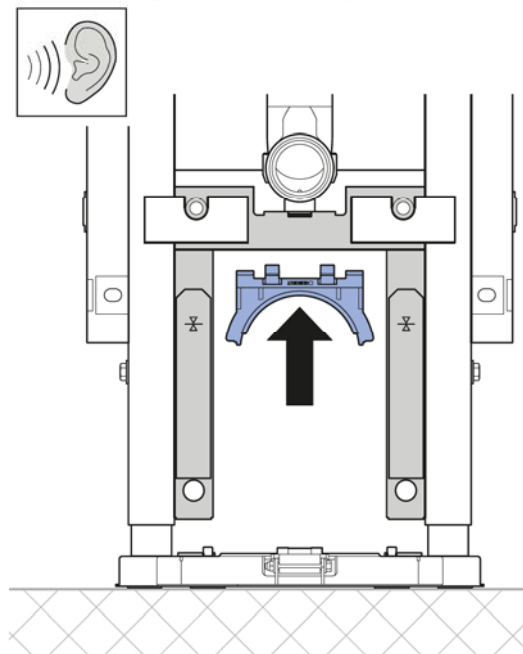
Mounting the outlet pipe side outlet

Prerequisite

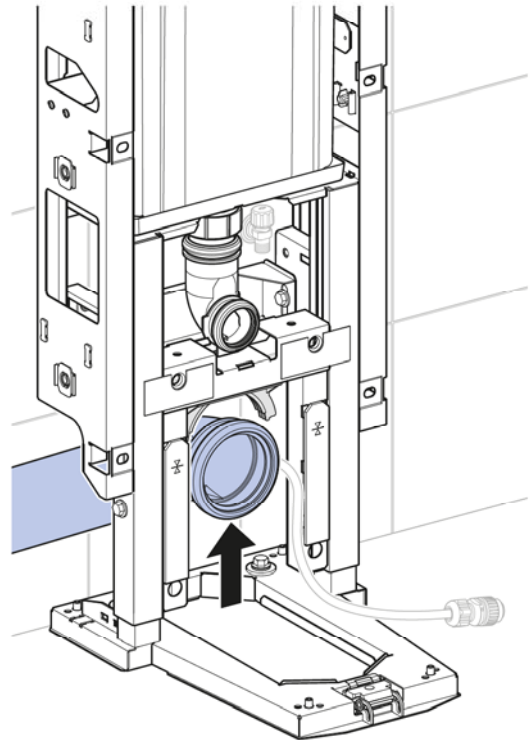
- Installation dimensions of the outlet pipe side outlet.



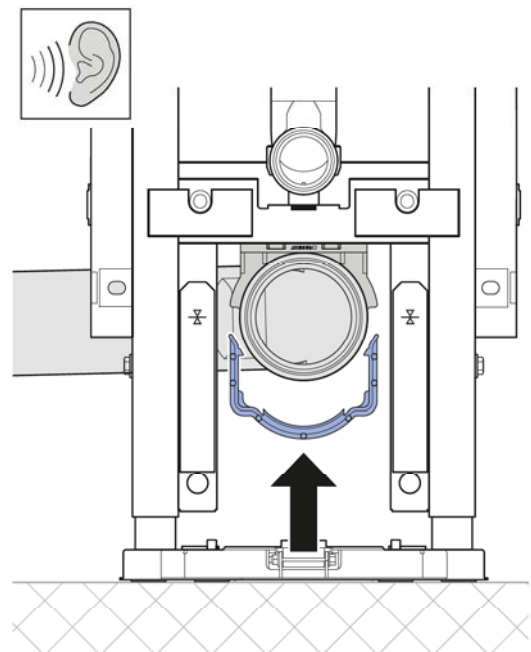
- 1 Insert the upper part of the pipe bracket.



- 2 Mount the outlet pipe.

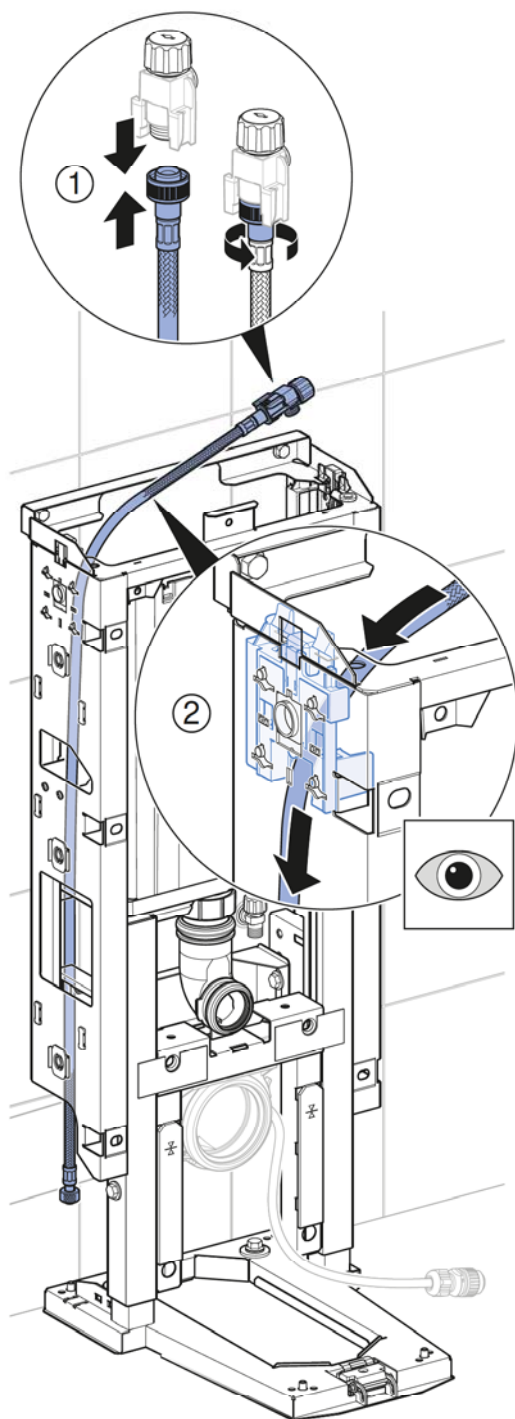


- 3 Secure the outlet pipe with the lower part of the pipe bracket.

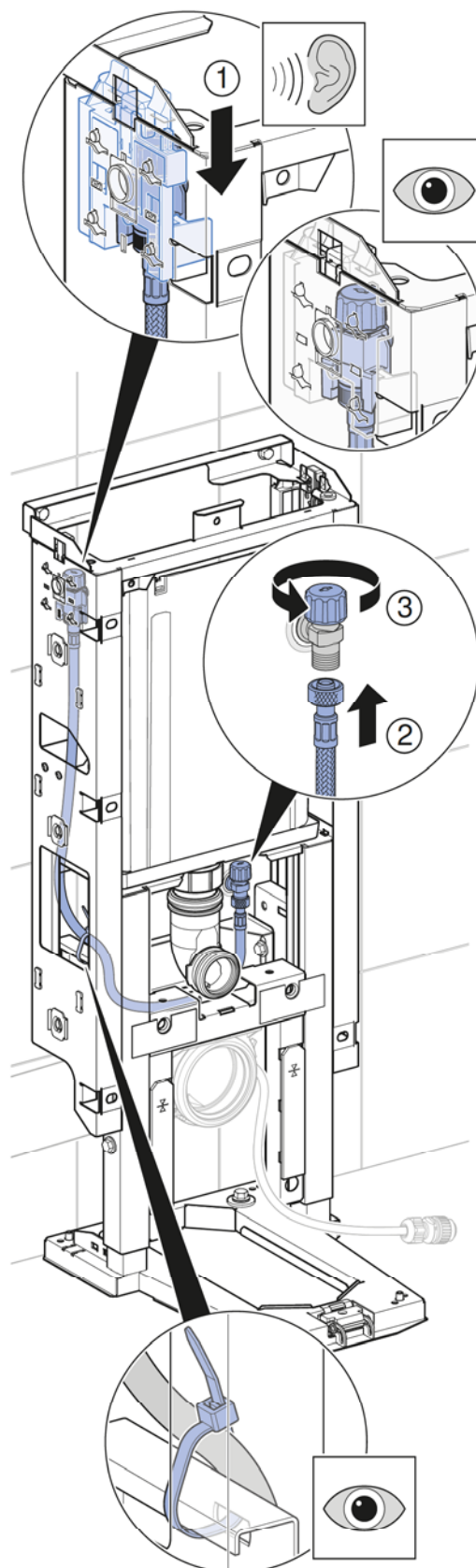


Mount the reinforced braided hoses

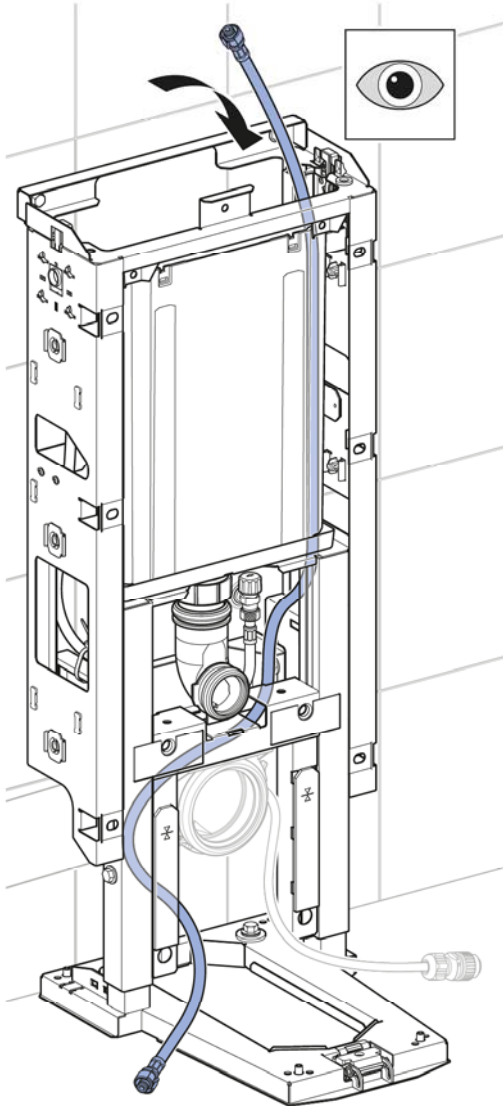
- 1** Insert the reinforced braided hose.



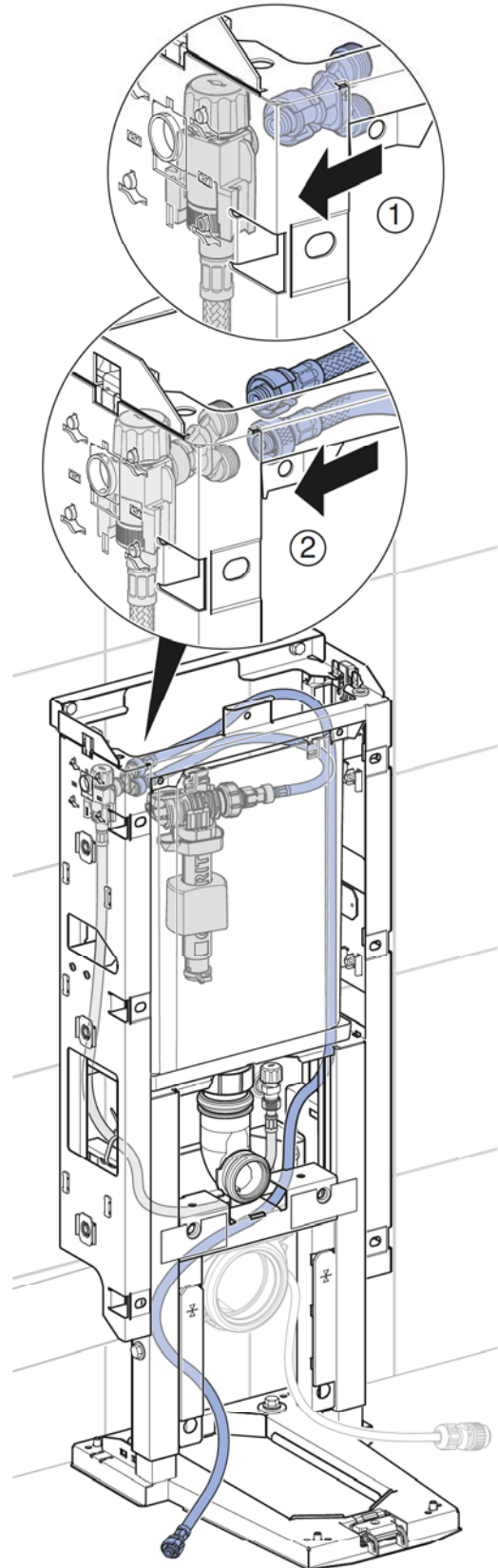
- 2** Connect and secure the reinforced braided hose to the angle stop valve.

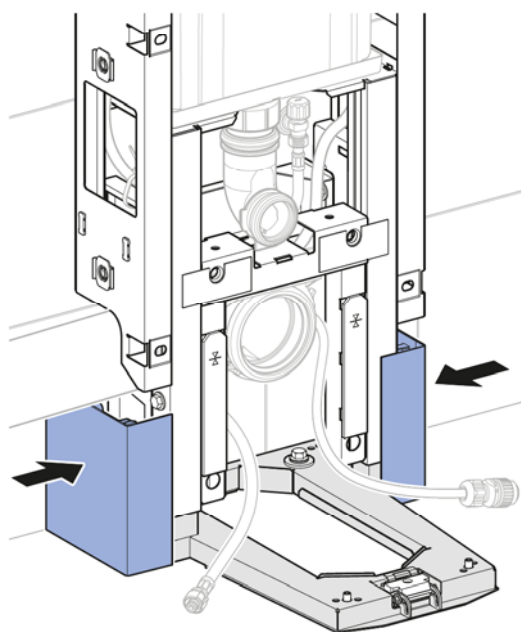
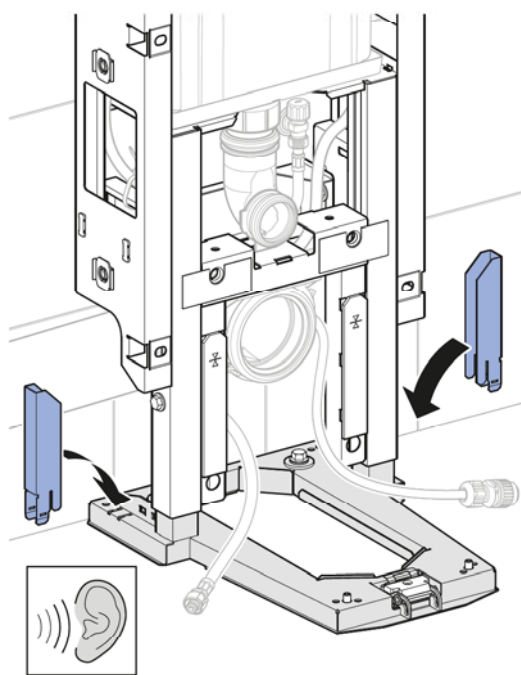
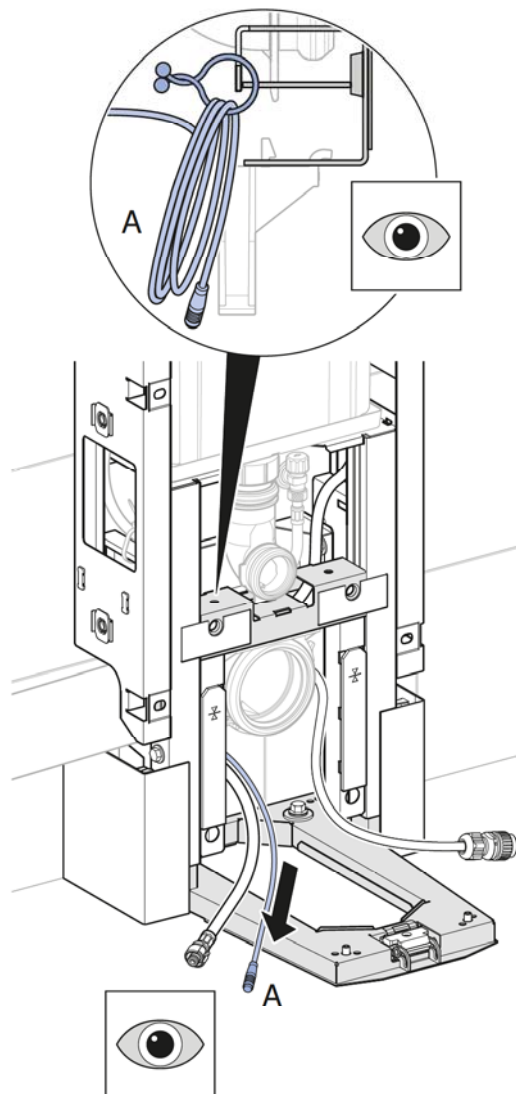


- 3** Lay the reinforced braided hose for the shower toilet.



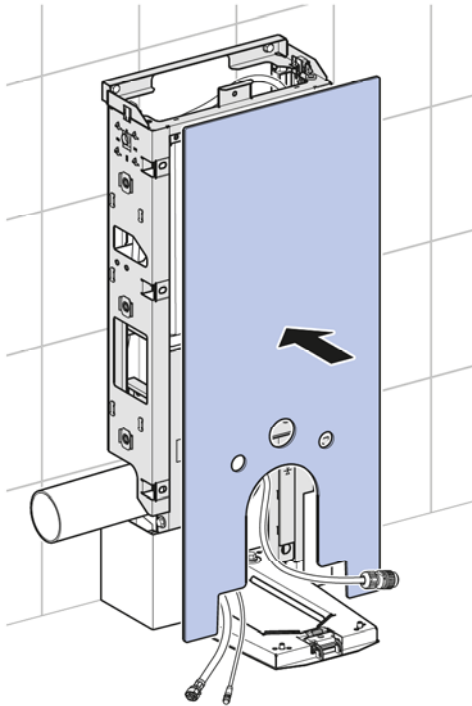
- 4** Mount the Y-piece and connect the reinforced braided hoses.



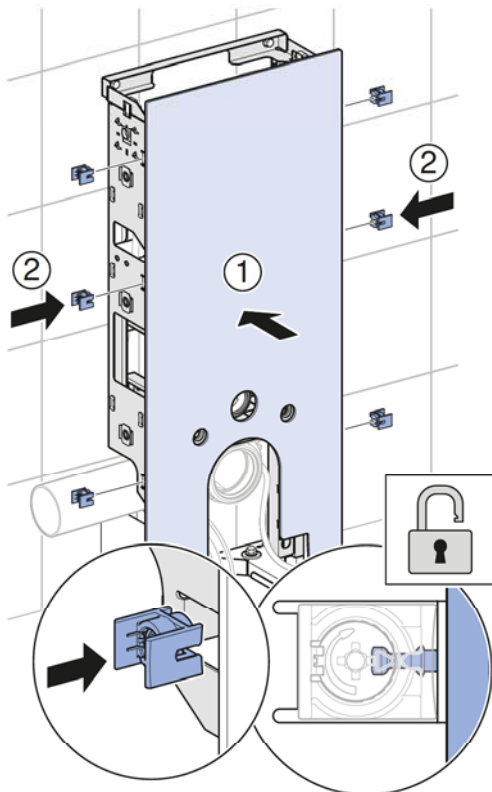
5 Mount the bottom side cover.**6** Lay the cables and the reinforced braided hose towards the front.

Mount the cover plate

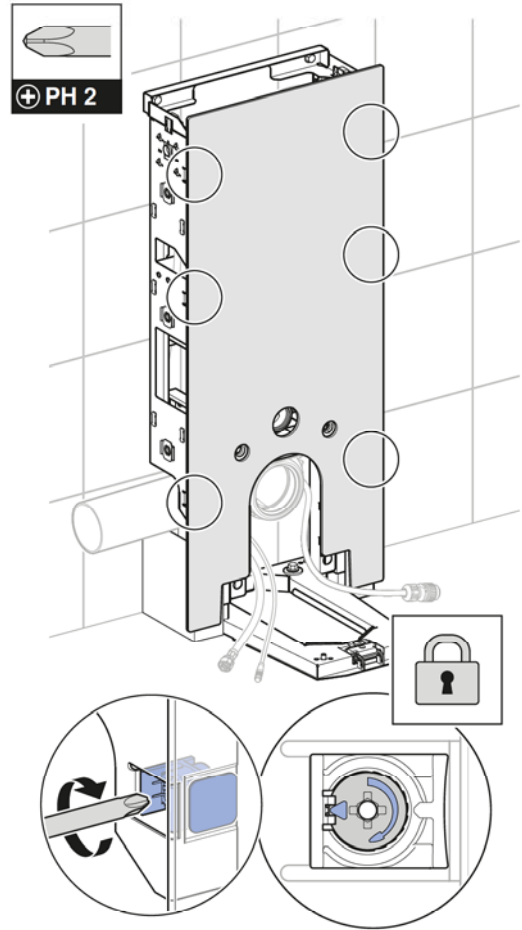
1 Mount the front cladding.



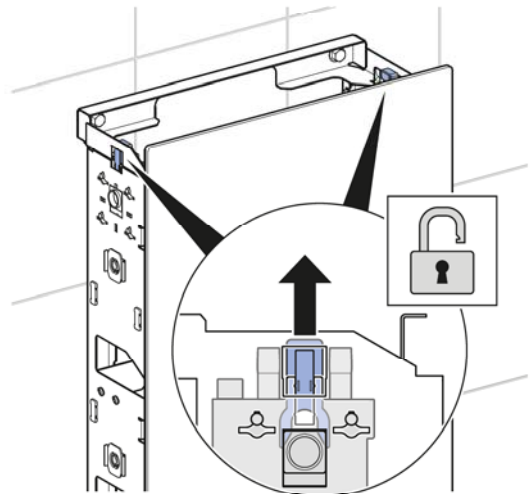
2 Press the front cladding into the frame to insert the interlock.



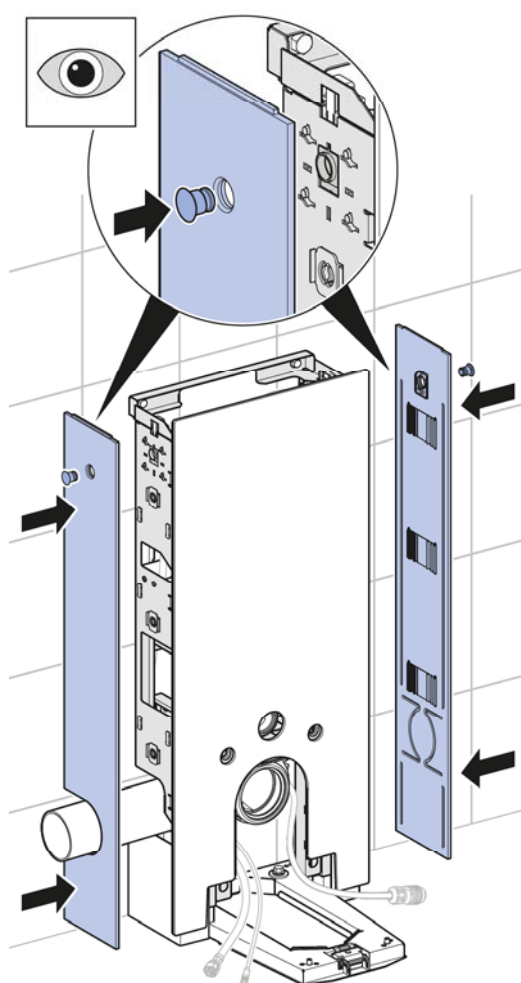
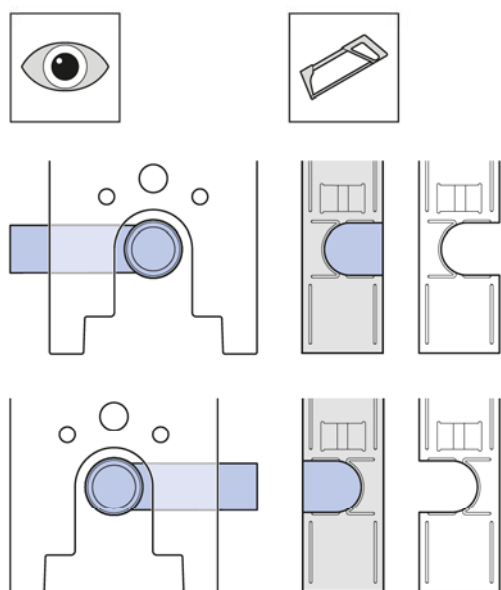
3 Lock the front cladding.



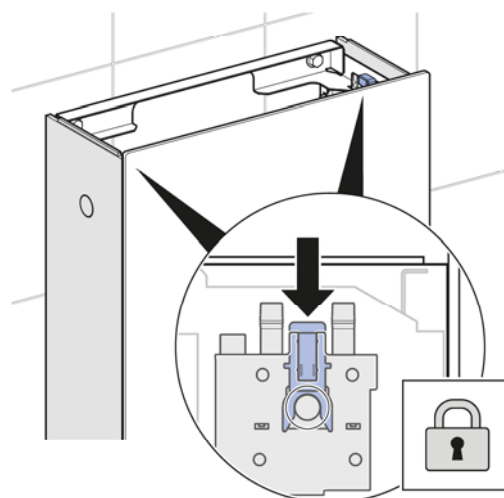
4 Open the side interlock.



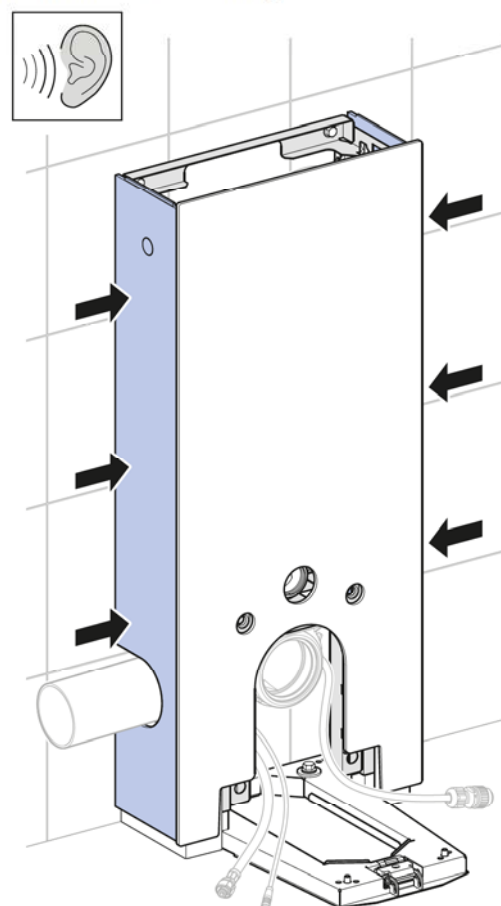
5 Cut out the side cladding.



6 Lock the side cladding.

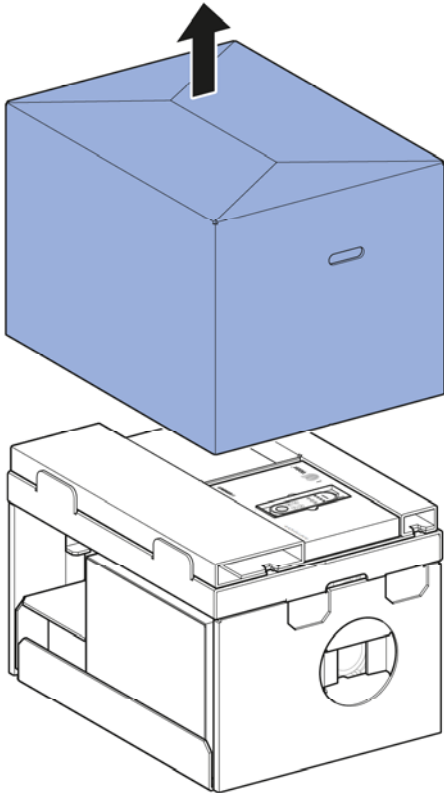


7 Mount the side cladding.

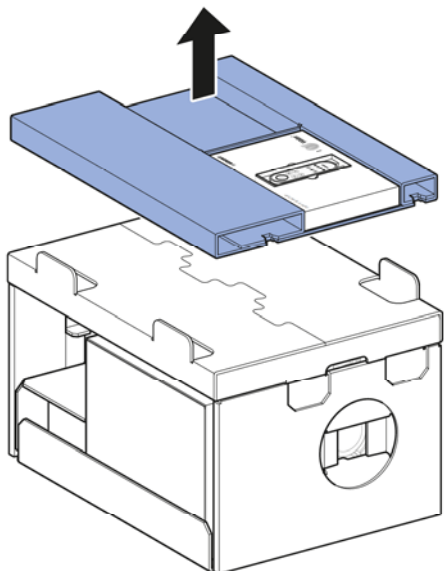


Removing the packaging

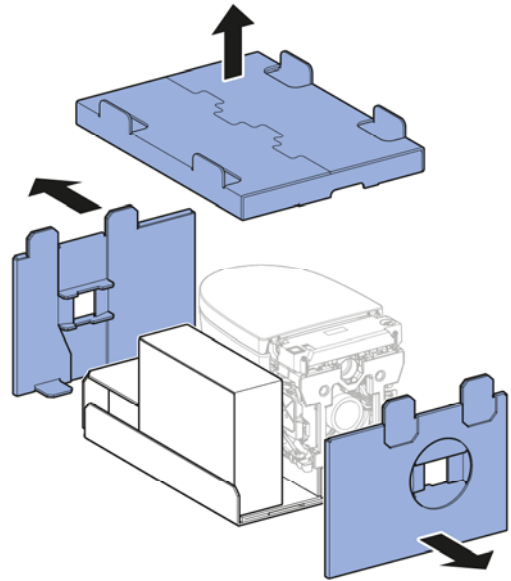
- 1** Open and remove the cardboard box.



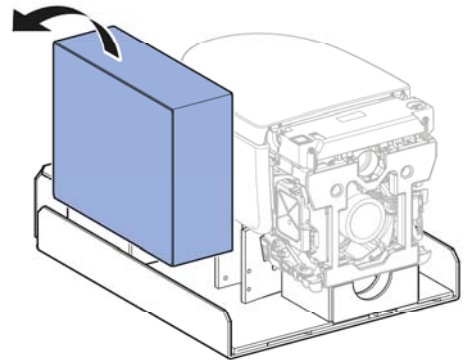
- 2** Remove the packages inside.



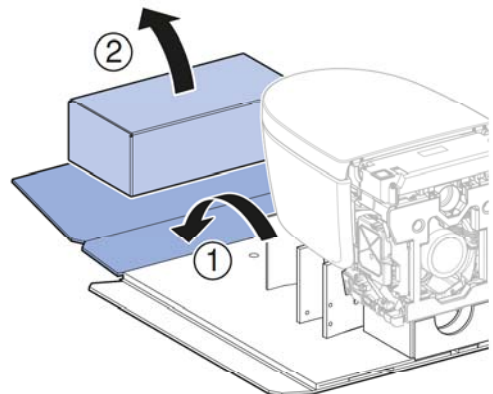
- 3** Remove the internal packaging.



- 4** Fold away the cardboard box.

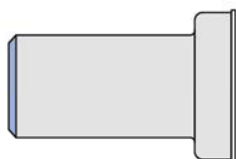
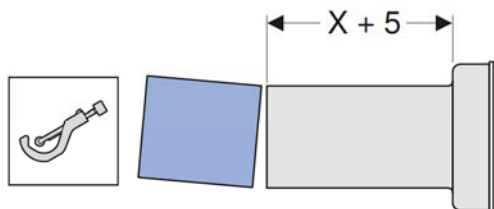
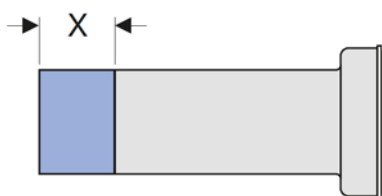
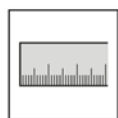
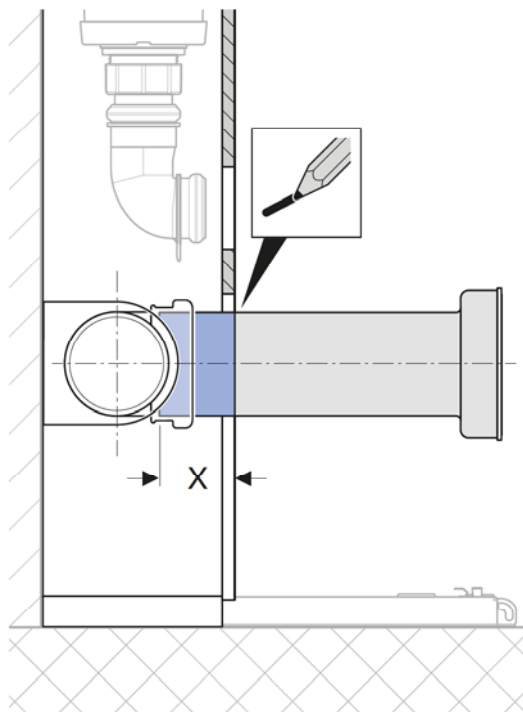


- 5** Fold away and remove the internal packaging.

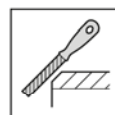
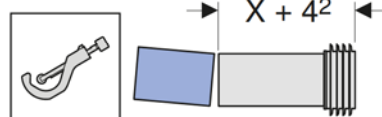
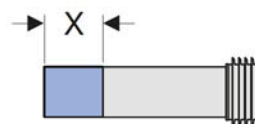
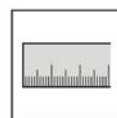
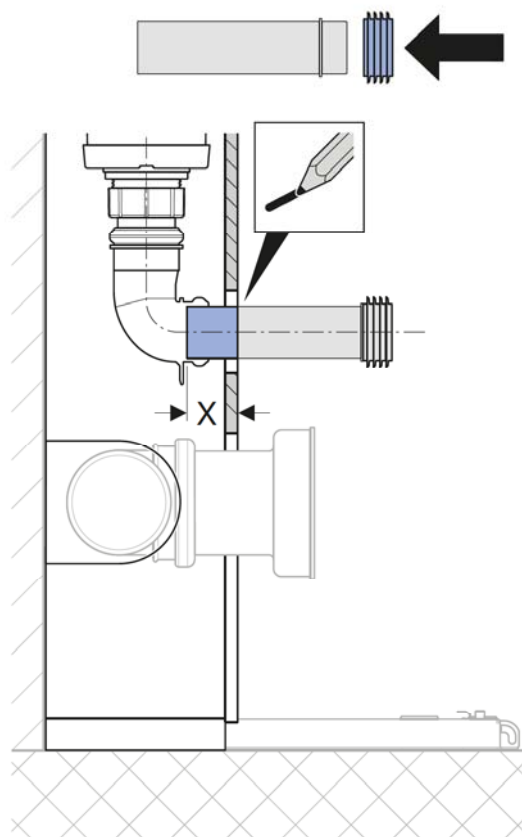


Mounting the flush pipe and the outlet pipe

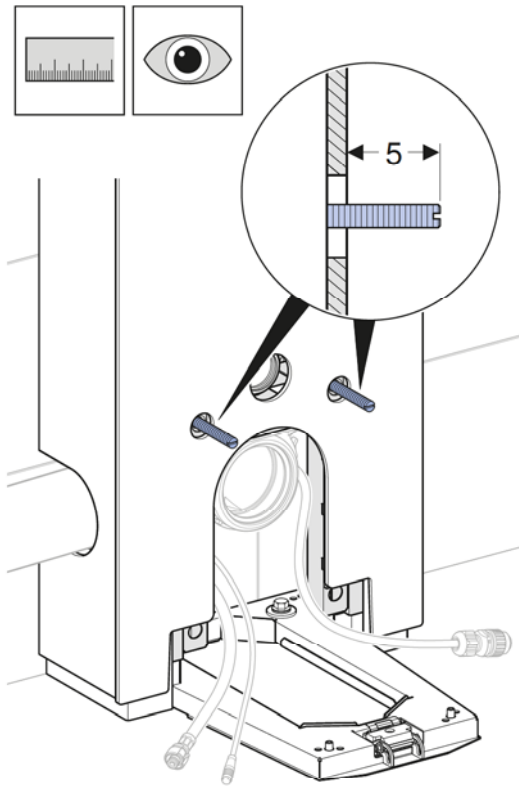
- 1** Measure the outlet pipe, cut it to length and deburr it.



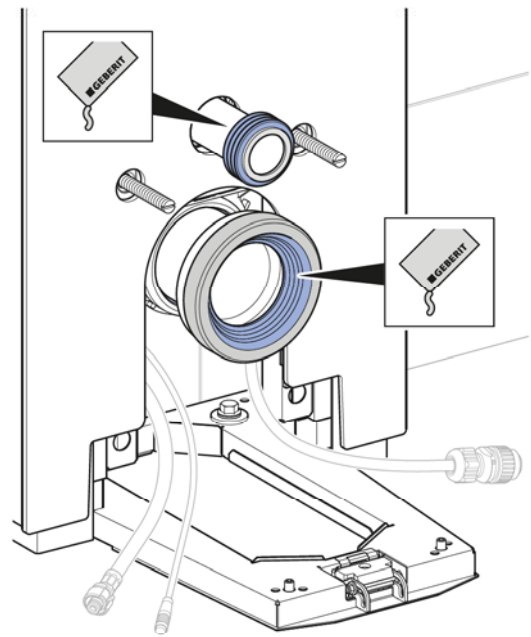
- 2** Measure the flush pipe, cut it to length and deburr it.



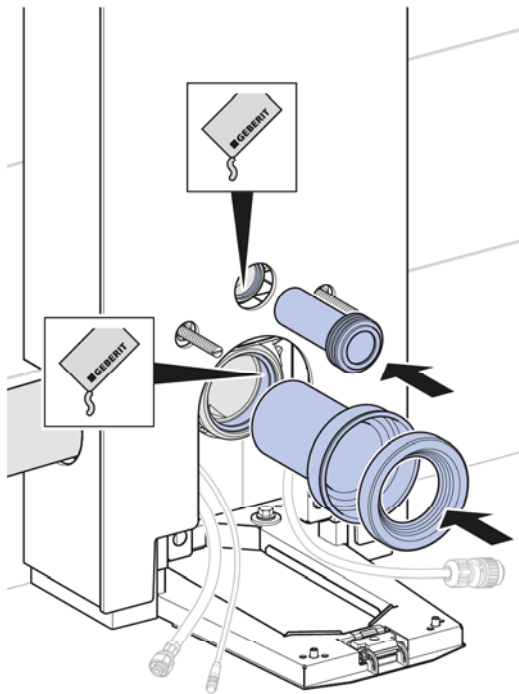
3 Mount the threaded rods.



5 Apply the lubricant on the seals.

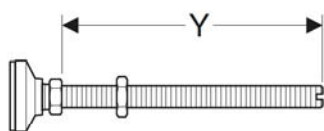
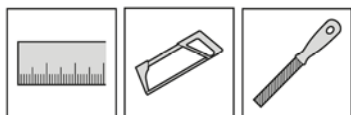
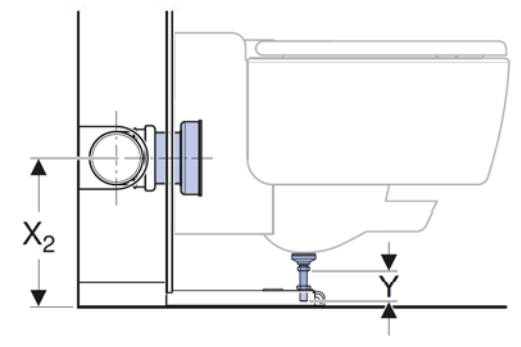


4 Mount the flush pipe and the outlet pipe.

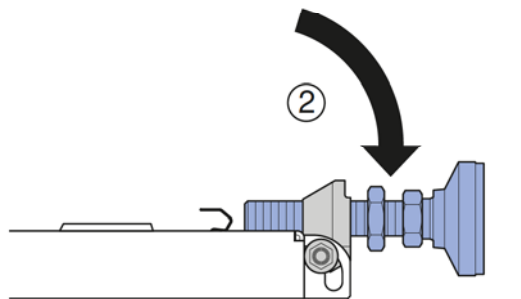
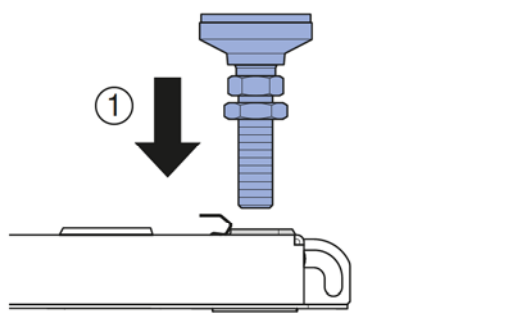




Cut the leg support to size.

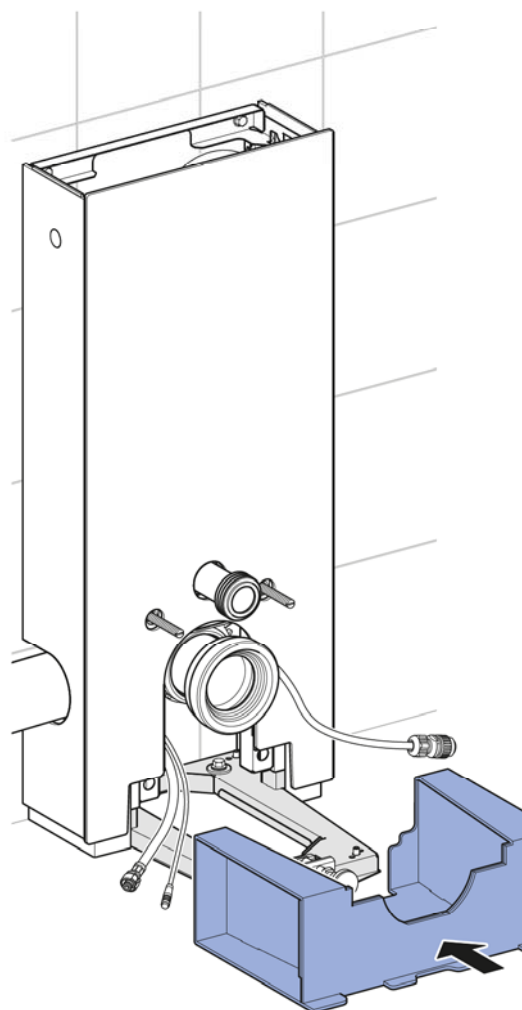


X_2	Y	X_2	Y
23	2 ⁵	30	9 ⁵
24	3 ⁵	31	10 ⁵
25	4 ⁵	32	11 ⁵
26	5 ⁵	33	12 ⁵
27	6 ⁵	34	13 ⁵
28	7 ⁵	35	14 ⁵
29	8 ⁵		



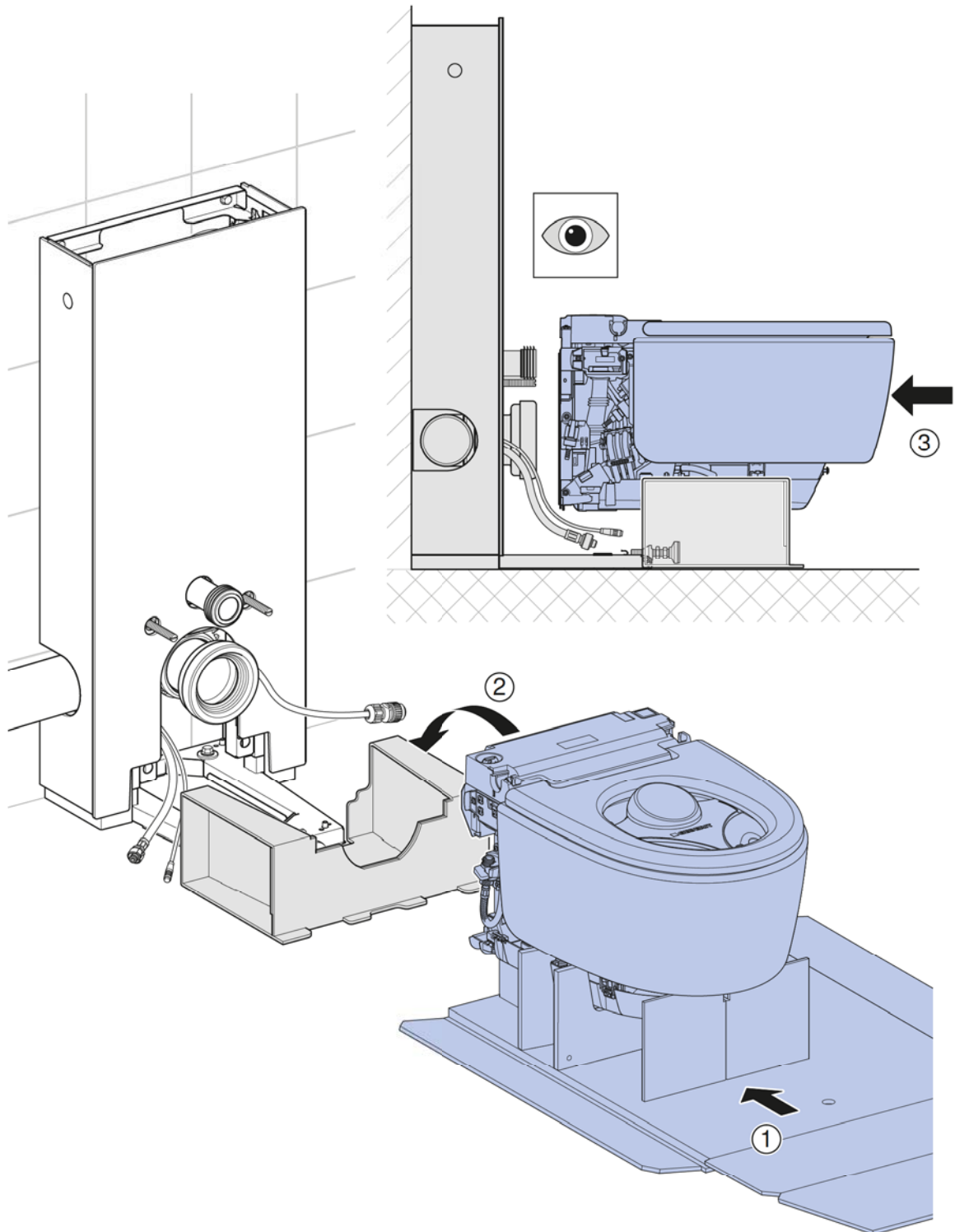
6

Position the mounting aid.

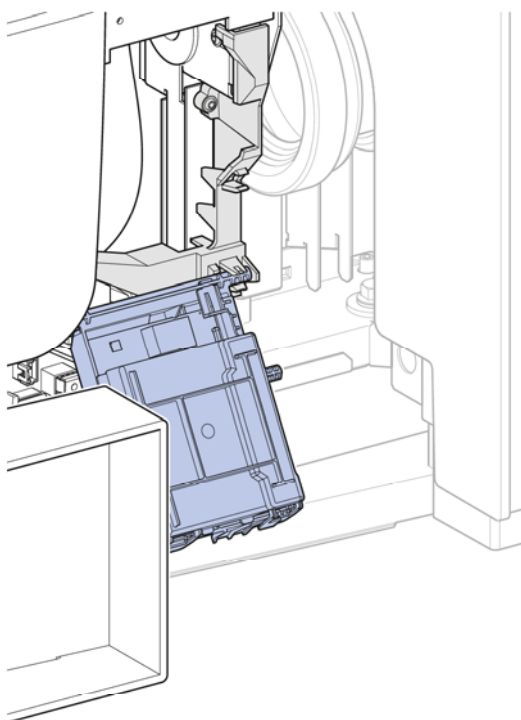
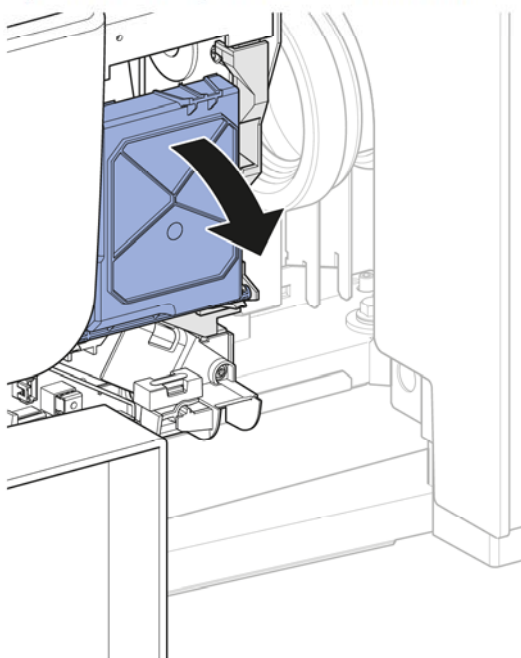


Mount the shower toilet

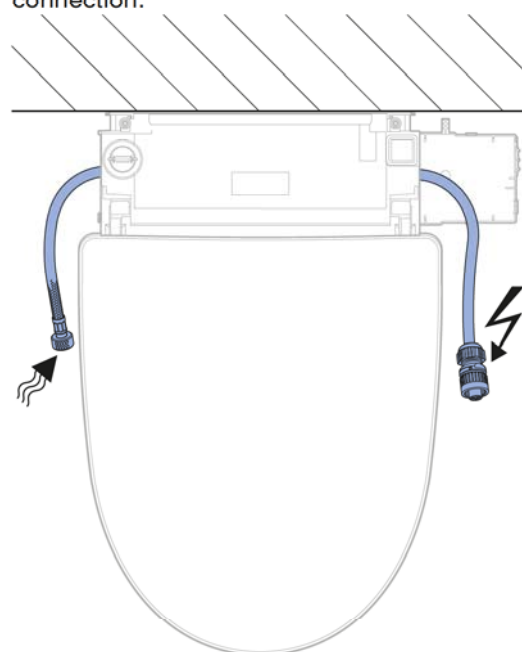
- 1 Position the shower toilet.



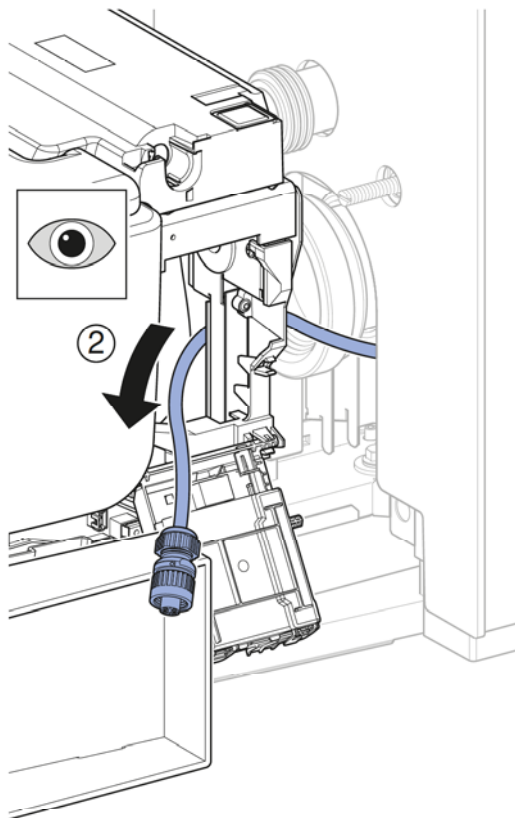
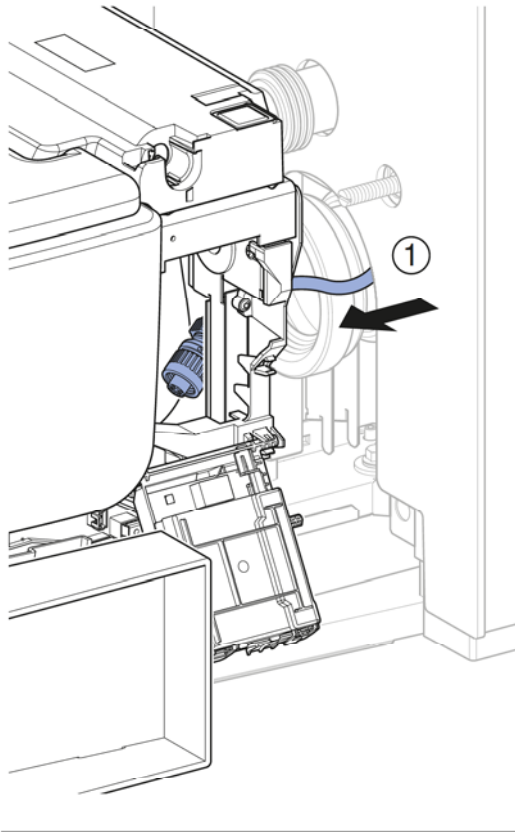
- 2 Open the butterfly valve of the main control.



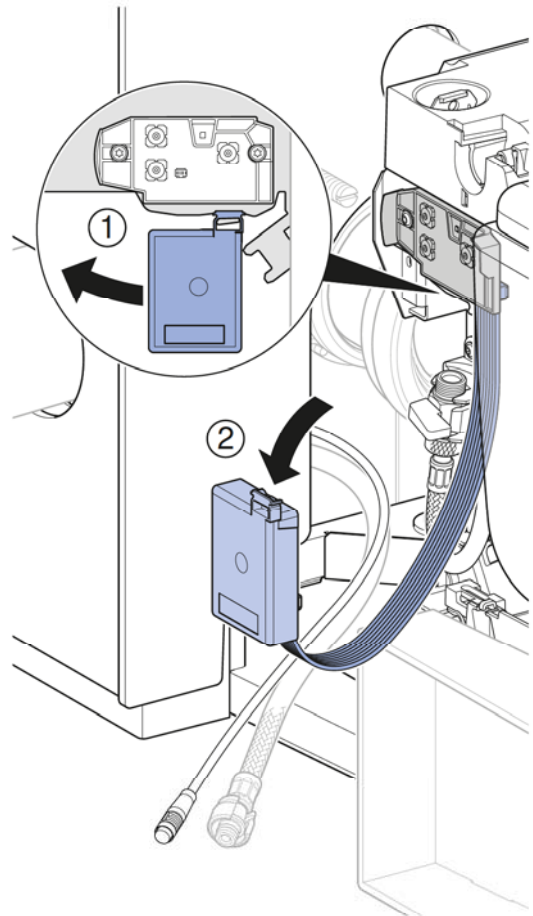
- i** Overview of the water supply and mains connection.



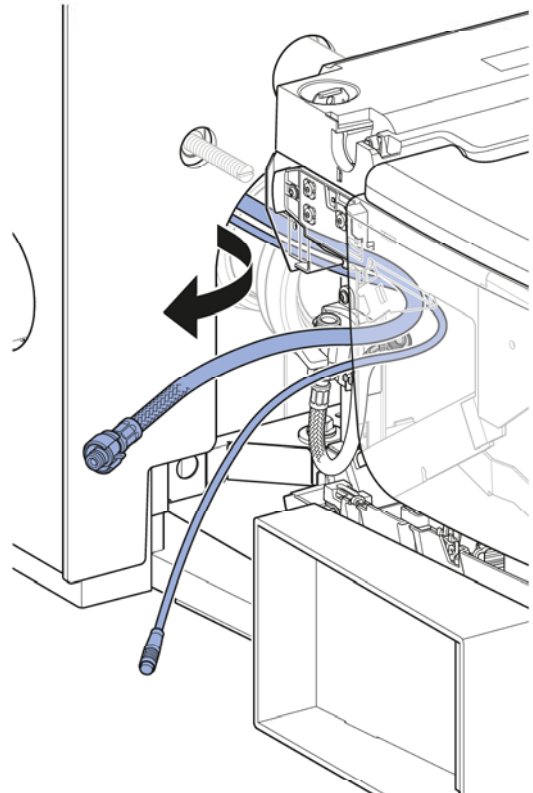
3 Insert the cable.



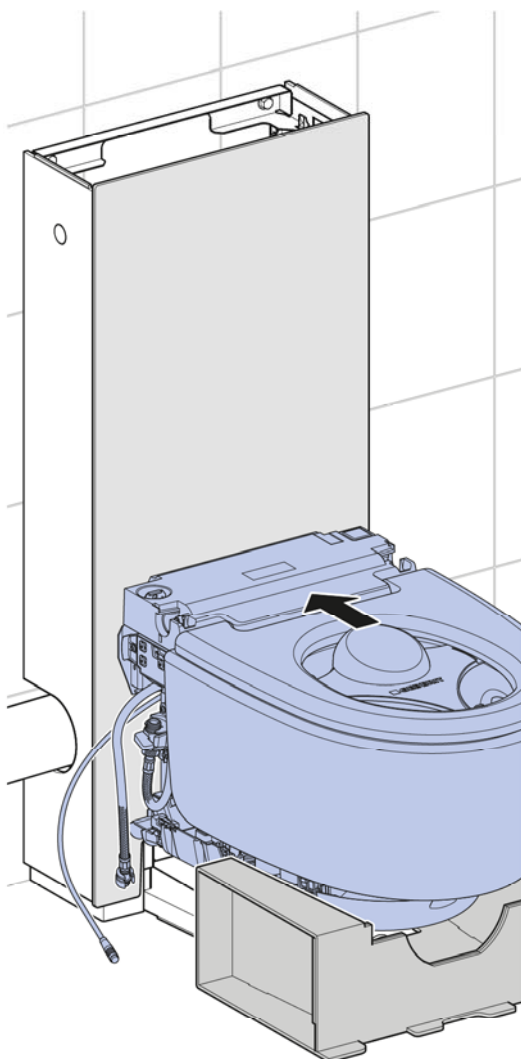
4 Remove the interface module.



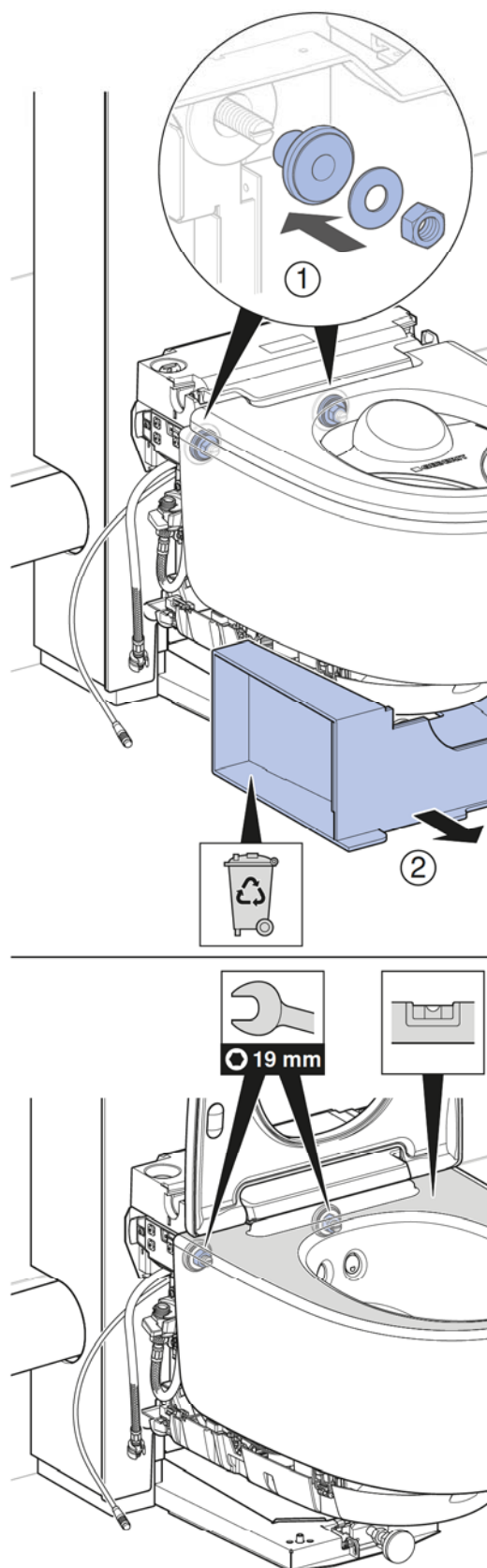
5 Insert the reinforced braided hose.



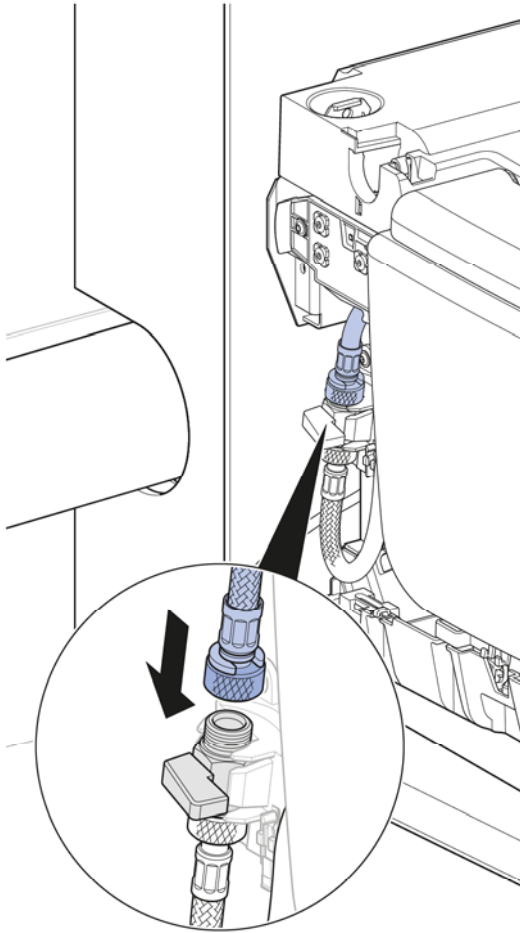
- 6** Slide the WC ceramic appliance towards the wall.



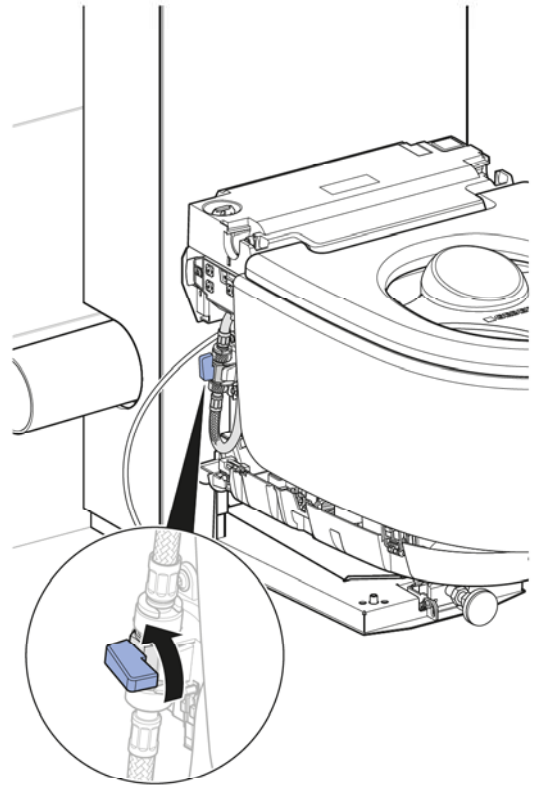
- 7** Fasten the WC ceramic appliance to the wall.



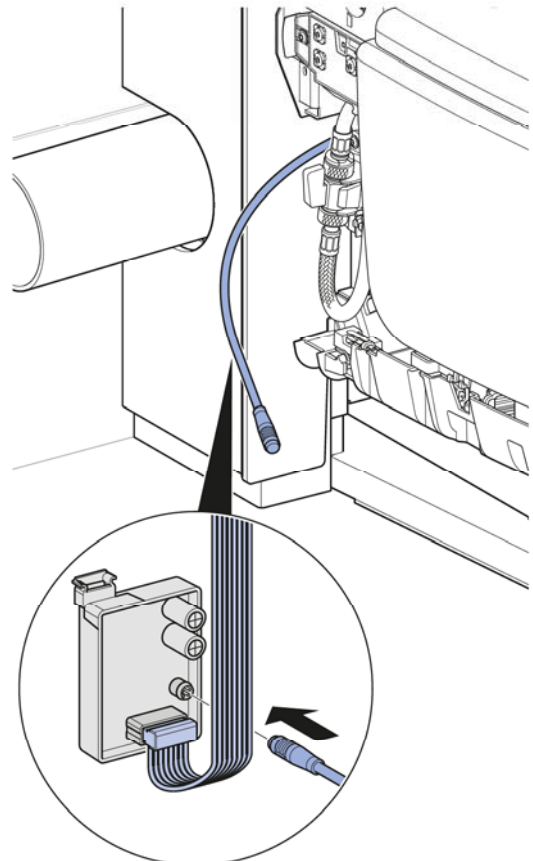
- 8** Connect the reinforced braided hose to the ball valve.

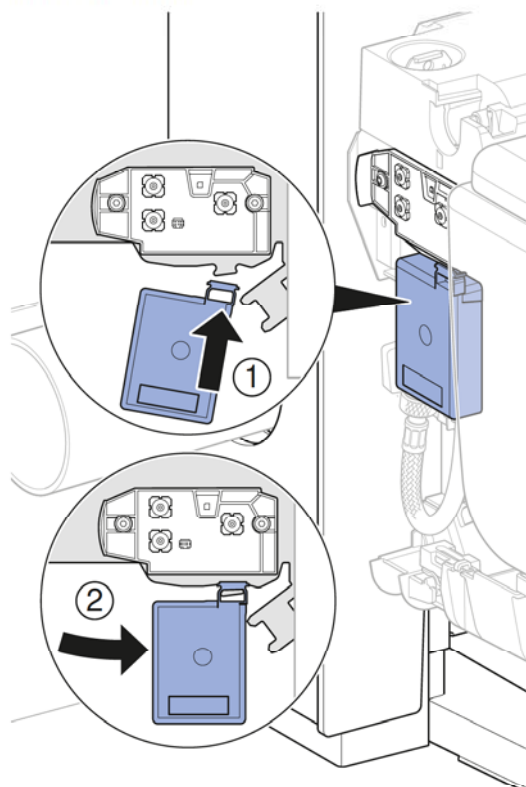
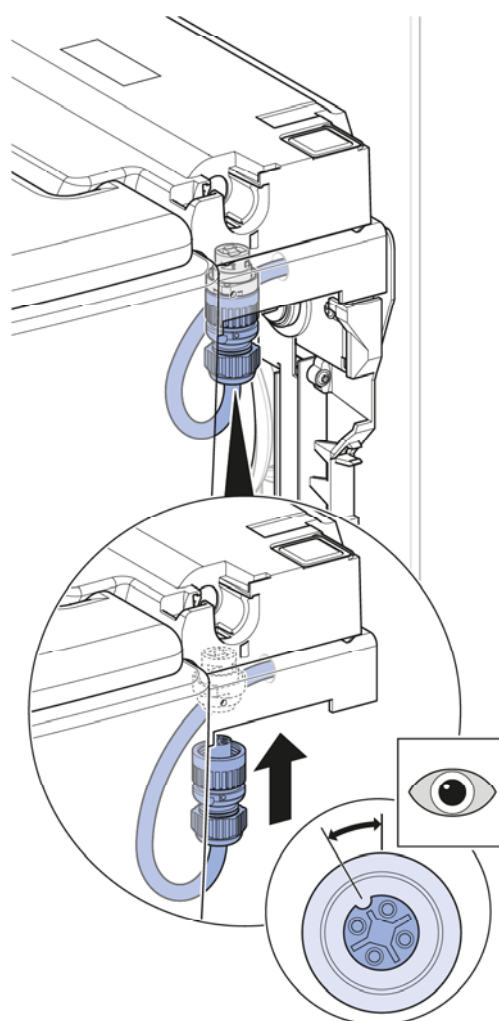
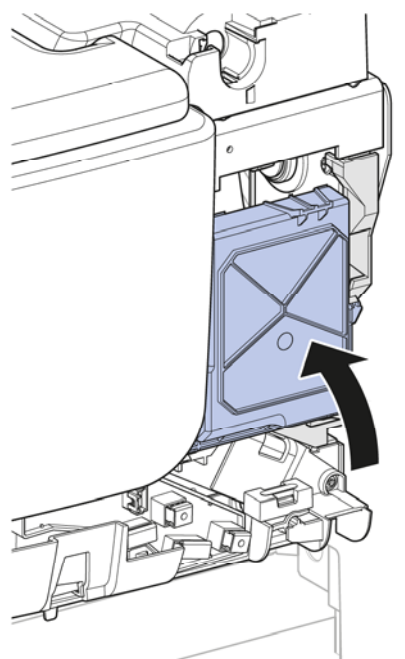


- 9** Open the ball valve.



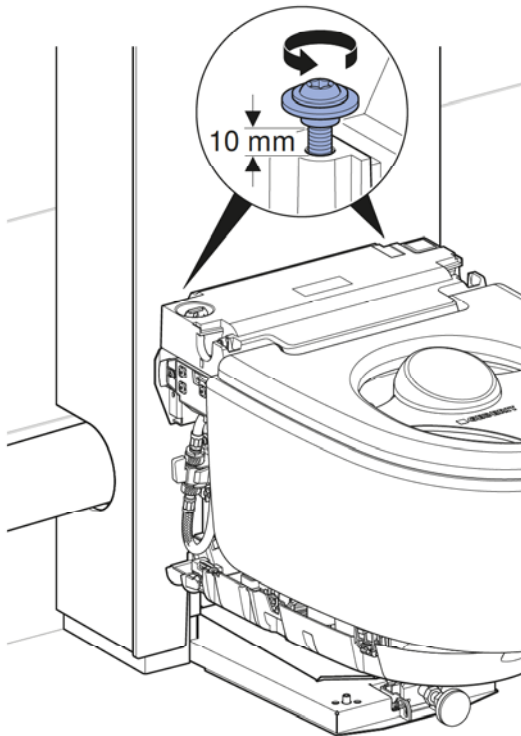
- 10** Connect the control cable with the interface module.



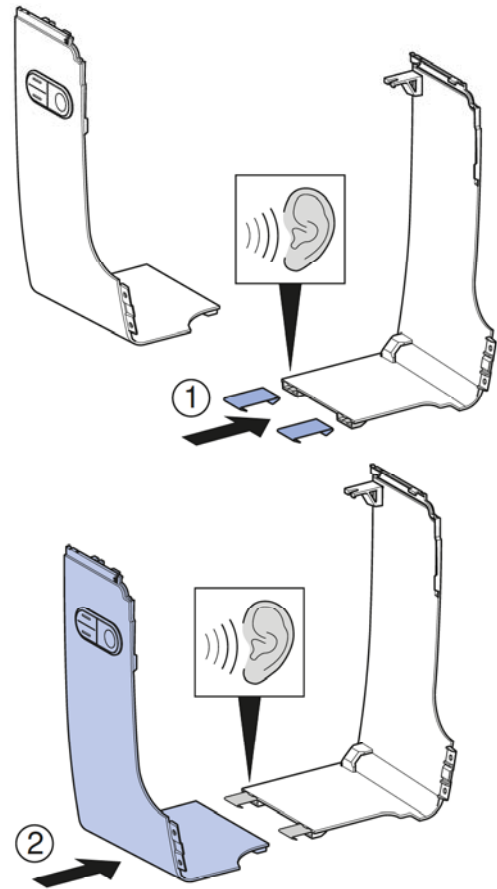
11 Install the interface module.**12** Connect the mains plug.**13** Raise the main control.

Mounting the covers

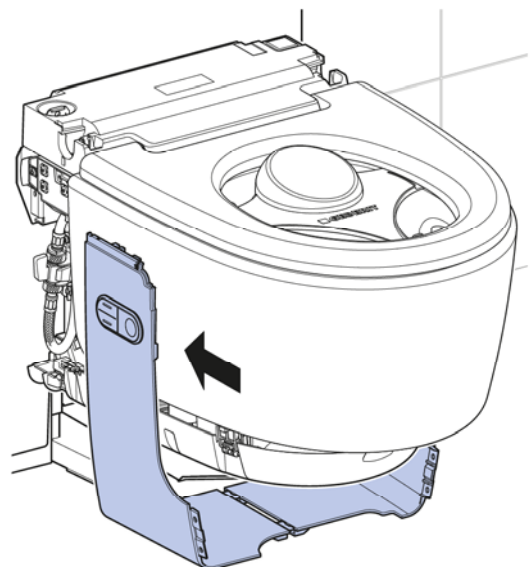
- 1** Loosen the screws of the top protection cover.

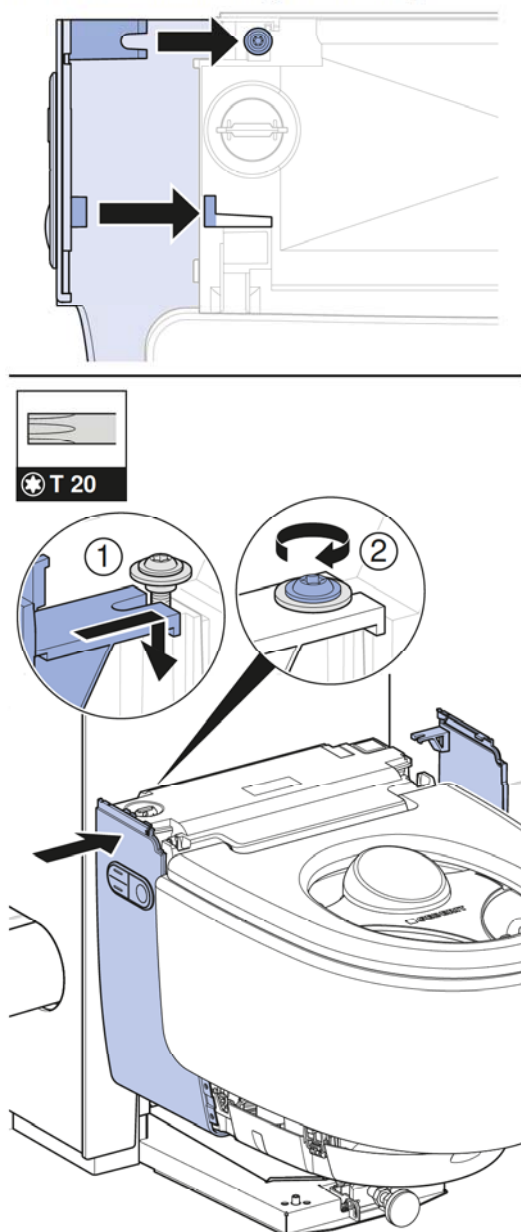
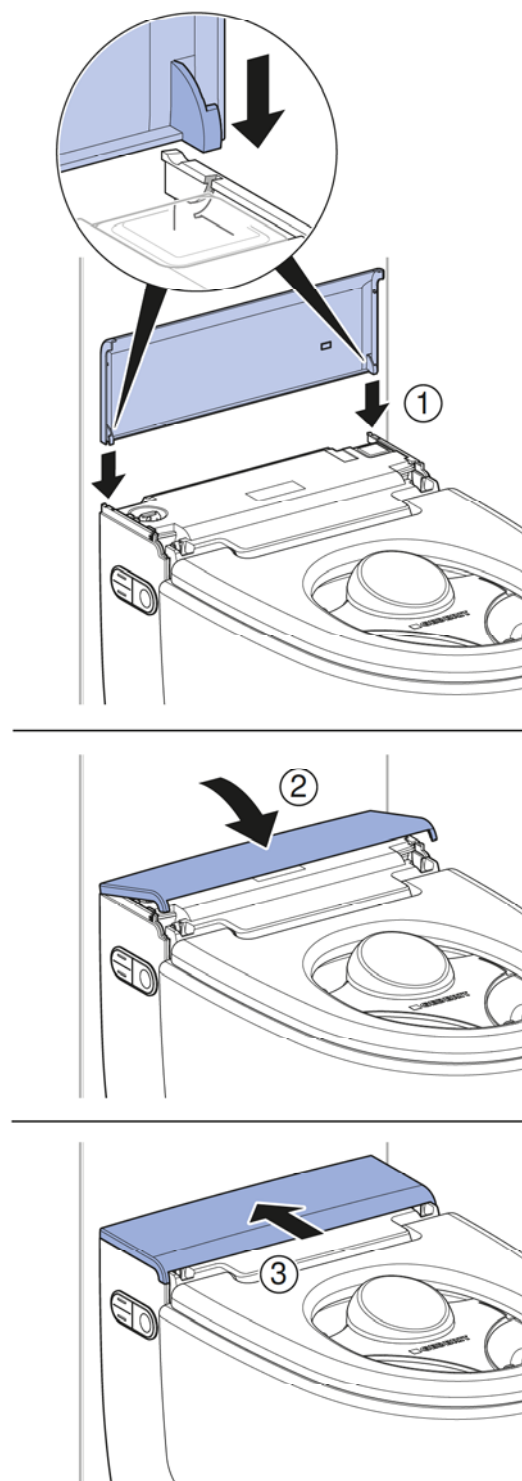


- 2** Assemble the standard side cladding parts.

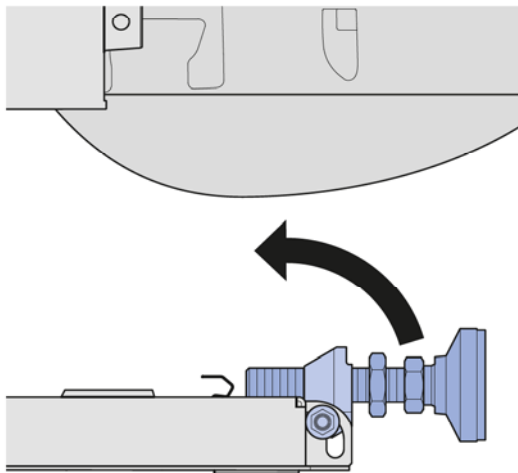


- 3** Mount the side cladding.

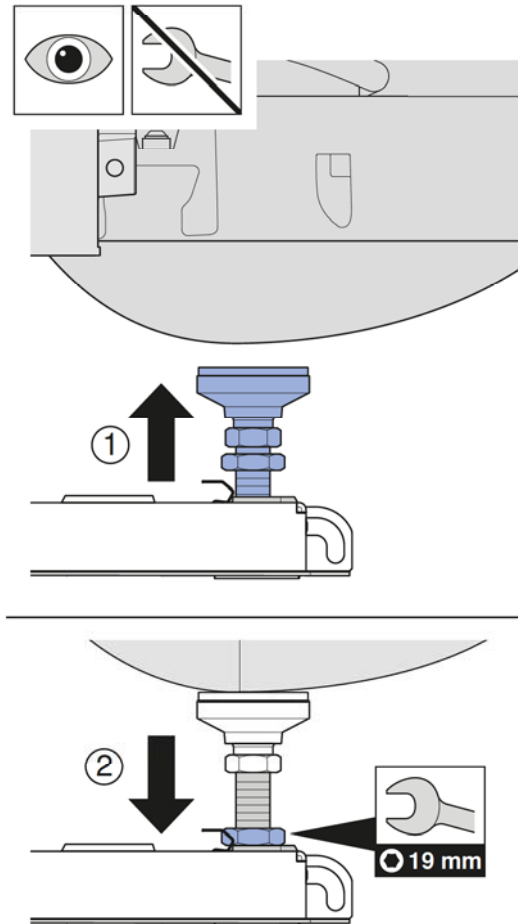


4 Screw the side cladding on securely.**5** Fit the top cladding.

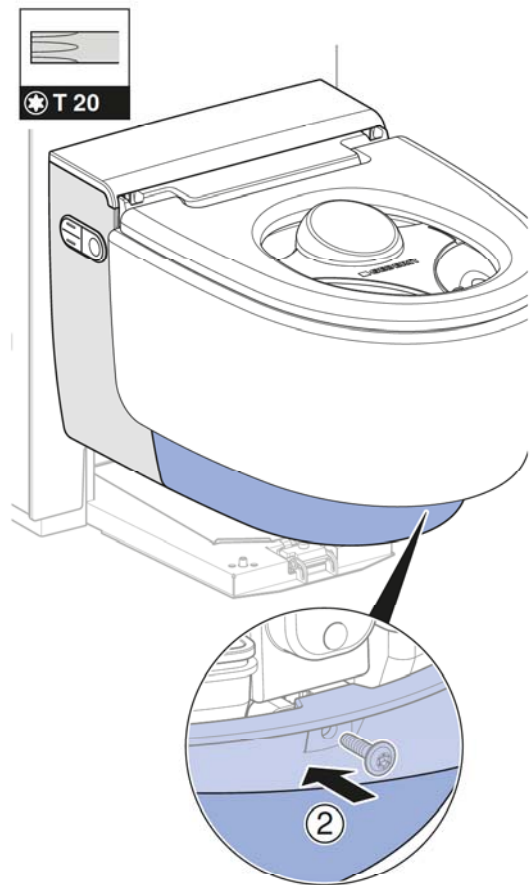
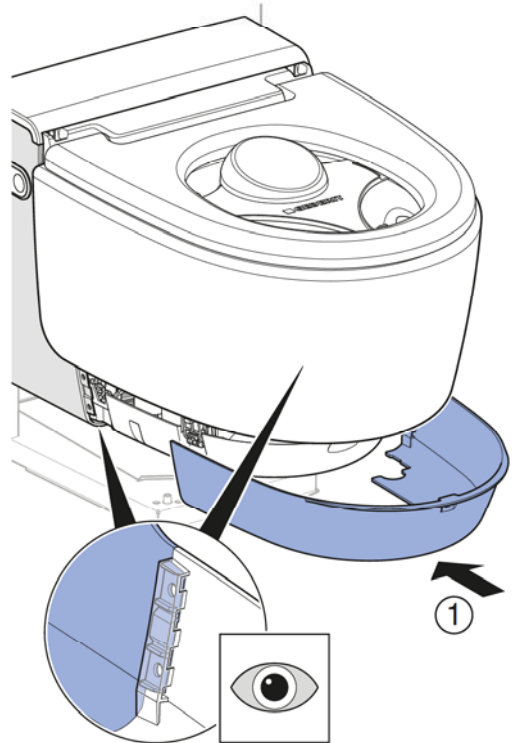
6 Raise the leg support.



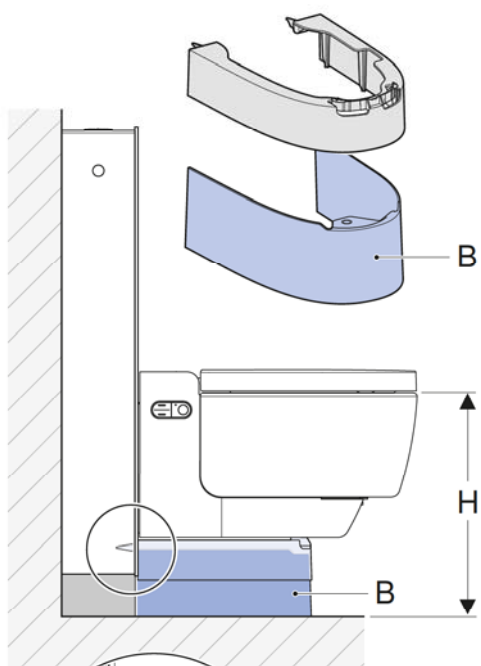
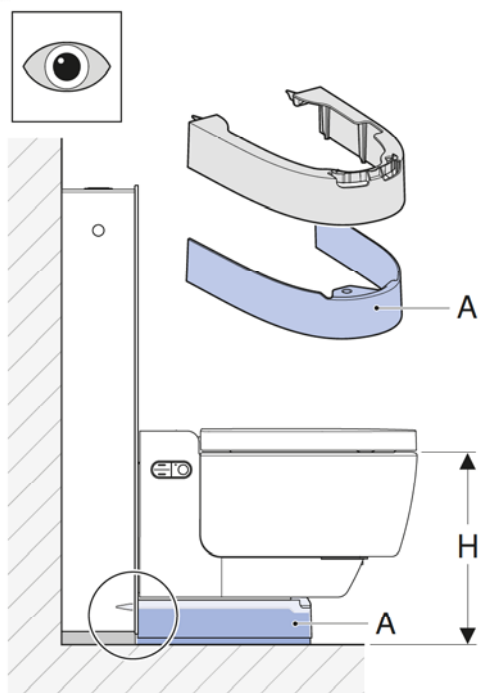
7 Adjust and secure the leg support with a lock nut.



8 Mount the lower cladding.



- 9** Mount the pedestal cladding for low or high positions.



- 10** Mount the bottom cladding.



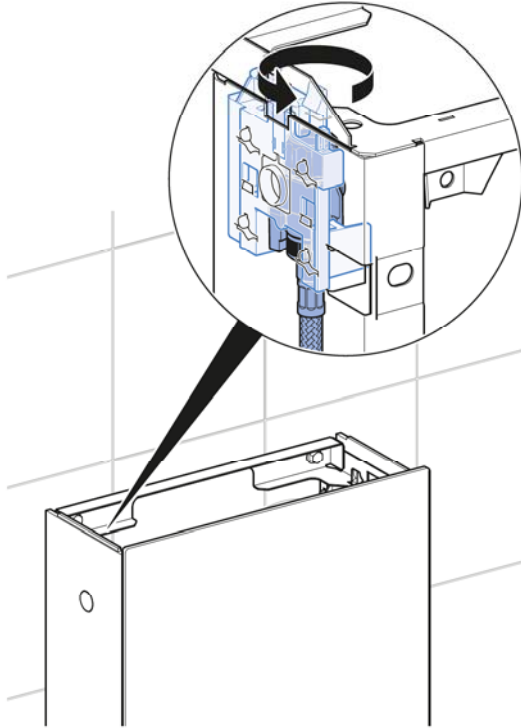
- i** Do not apply any joints.



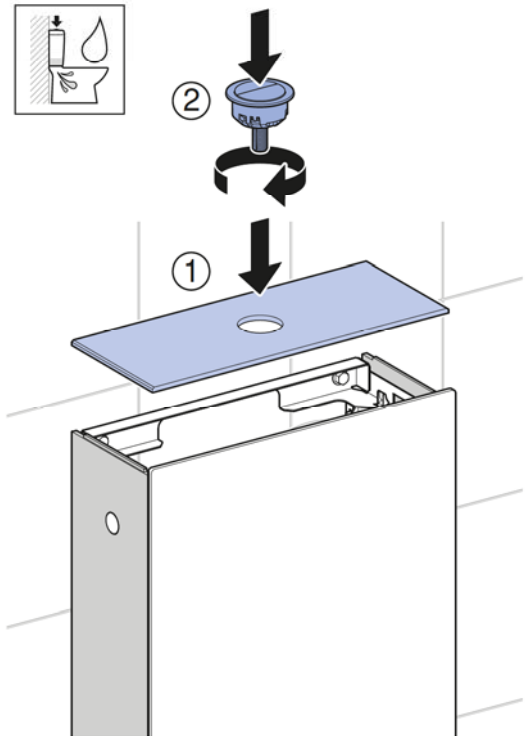
Function test

Testing the flush actuation

- 1 Open the angle stop valve in the frame.



- 2 Mount the cover and the actuator.



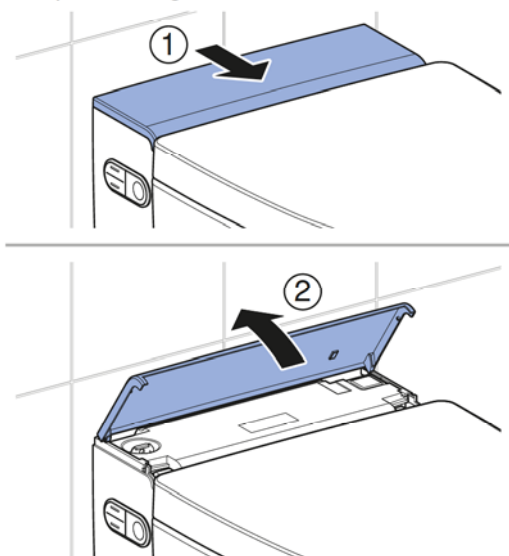
Function test

Switching on the device

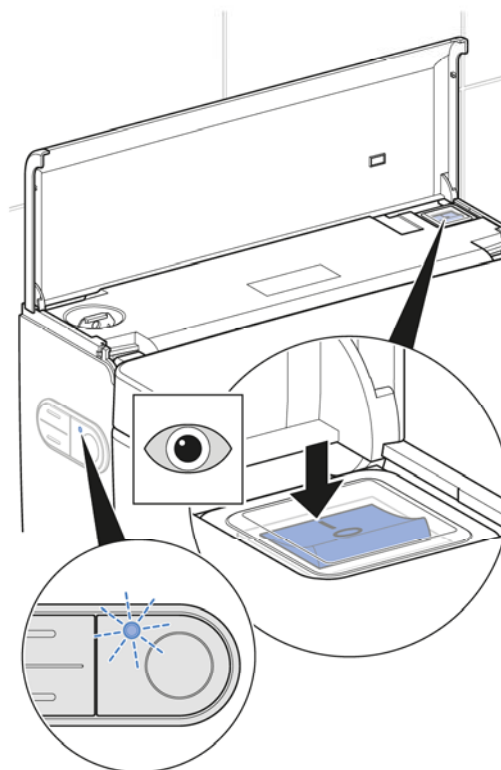
Prerequisite

- The device has been mounted and connected.
- The water supply at the ball valve has been opened.
- The lateral design covers have been mounted.
- The lower design cover has been mounted.
- The spray shield has been mounted.
- The upper design cover has been mounted.

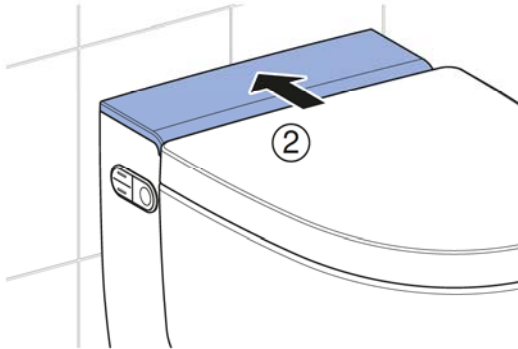
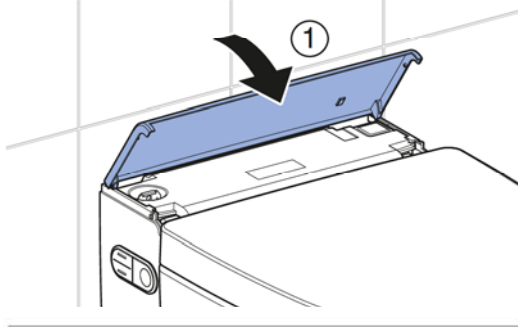
1 Lift up the design cover.



2 Switch on the device.



3 Close the design cover.



Result

- ✓ The LED on the lateral control panel lights up blue.
- ✓ The device is ready for operation.

i If the status LED flashes red:

- Test whether the water supply has been established. Open ball valve.
- Reset storage water heater. → See "Resetting the storage water heater", page 40
- switch off device, wait 30 seconds and then switch device back on.

If the status LED continues to flash red after taking these measures, contact customer service.

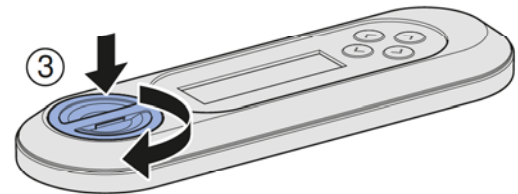
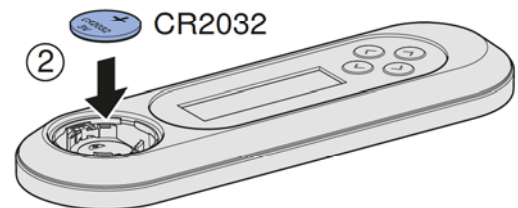
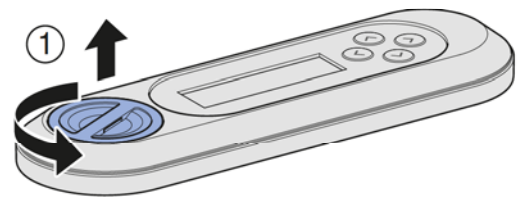
Putting the remote control into operation

i If several devices of the same type are installed in immediate proximity (e.g. in hotels), the remote control must be assigned. → See "Re-assign remote control", page 37.

Prerequisite

- The function test of the device was performed successfully.

- ▶ Open the battery compartment and insert battery.



Result

- ✓ The display shows [Pairing ok] for 10 seconds.

i If the [Pairing ok] message does not appear, re-assign remote control. → See "Re-assign remote control", page 37.

Re-assign remote control

i The device can only be operated with a single, assigned remote control.

- ▶ Press the <+> button on the remote control and the <top> button on the lateral control panel for approx. 30 seconds.



Result

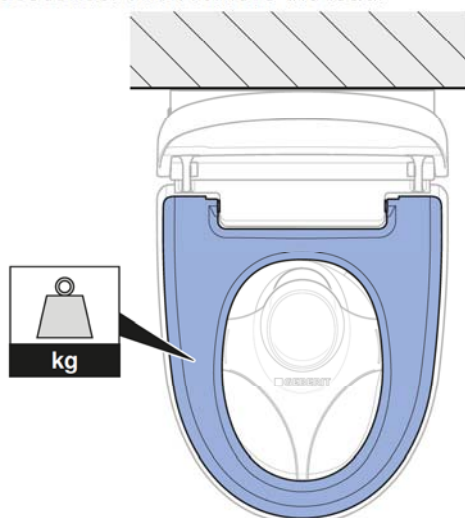
- ✓ The [Pairing ok] confirmation appears on the display.
- ✓ The shower toilet can be controlled by remote control.

Testing automatic flush actuation

Prerequisite

- The automatic flush actuation has been switched on in the [Basic settings] main menu.

- ▶ Apply a load to the WC seat for more than 10 seconds. Then remove the load.

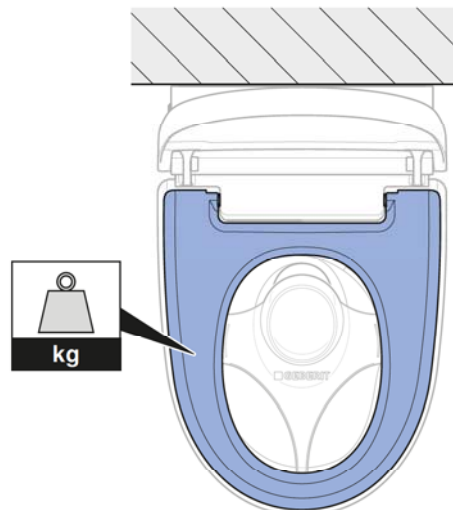


Result

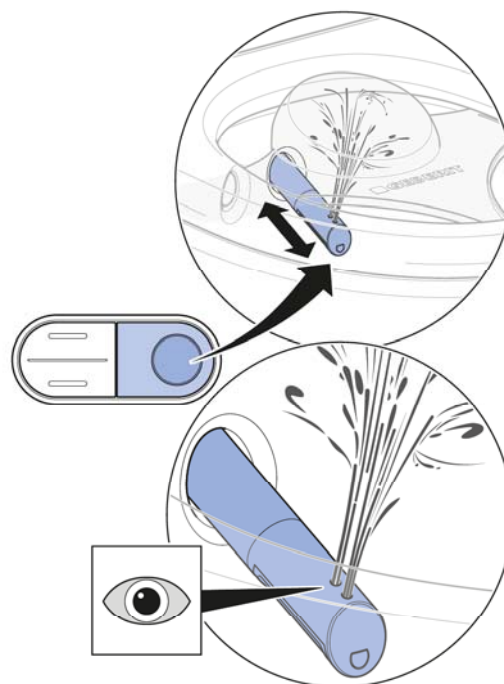
- ✓ A flush is actuated after around 5 seconds.

Testing the spray functions

i For the following test steps, weight must be applied to the WC seat to simulate a user. The LED on the lateral control panel lights up blue during this.



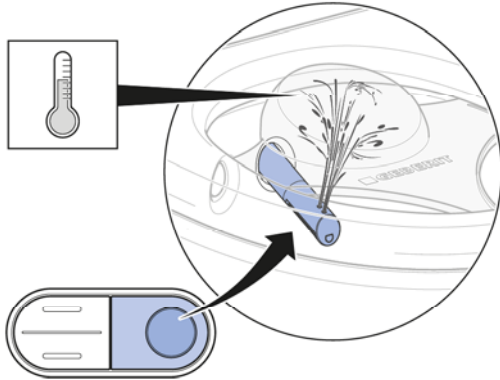
- 1 Test the anal shower function.



- ✓ The device performs nozzle cleaning.
- ✓ The spray arm extends.
- ✓ The anal shower begins with both nozzle openings active.
- ✓ After completing the shower cycle, the spray arm retracts.
- ✓ The device performs nozzle cleaning.

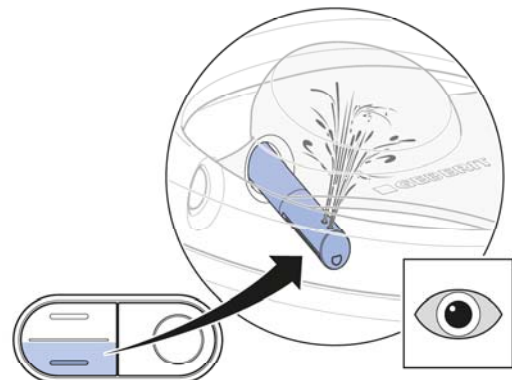
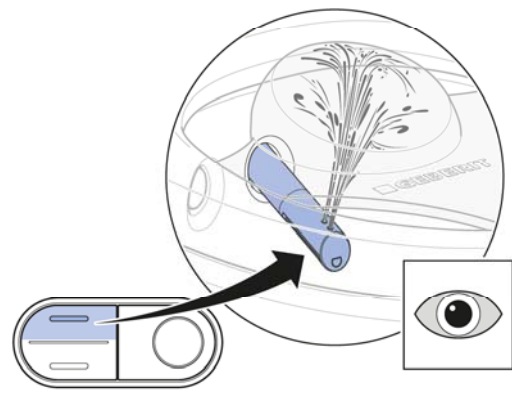
i After a complete shower cycle, the device will require around 2 minutes to bring the storage water heater back to shower water temperature. During this time, hot water will only be available from the rear spray nozzle.

2 Test shower water temperature.



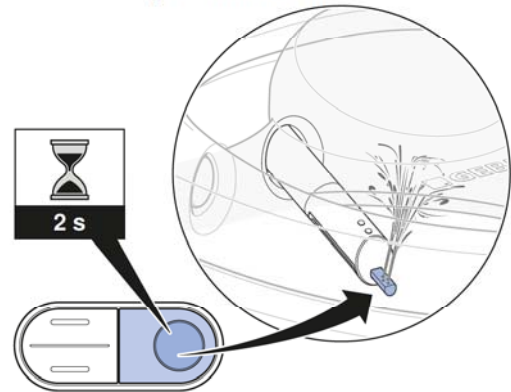
✓ The shower water is noticeably heated over the entire shower cycle.

3 Test adjustability of spray intensity.



✓ During a shower cycle, the spray intensity can be altered.

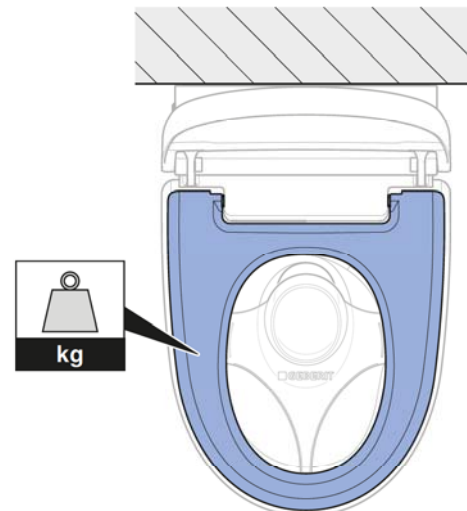
4 Test the Lady shower function.



- ✓ Lady shower nozzle extends.
- ✓ The Lady shower function starts.
- ✓ All nozzle openings are active.

Testing the remote control

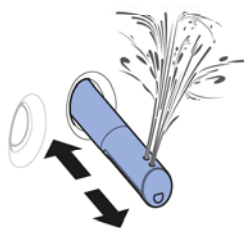
i For the following test steps, weight must be applied to the WC seat to simulate a user. The LED on the lateral control panel lights up blue during this.



Prerequisite

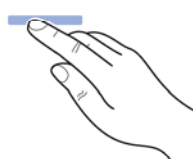
- The remote control is paired with the device.

- 1** Test the <Shower> button for the anal shower.



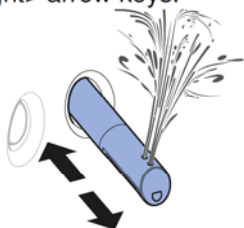
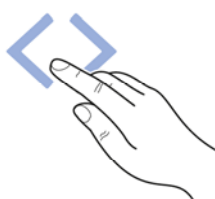
- ✓ The device performs a shower cycle. Pressing the <Shower> button again interrupts the shower cycle.

- 2** Test the <+> and <-> buttons.



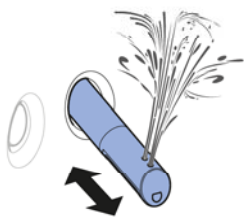
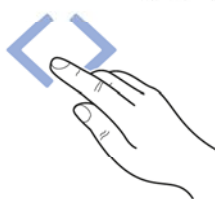
- ✓ During a shower cycle, the spray intensity can be altered.

- 3** Test the <left> and <right> arrow keys.



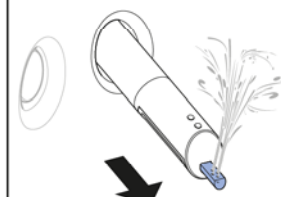
- ✓ During a shower cycle, the spray arm position can be changed.

- 4** Test the button combination for switching on the oscillating spray.



- ✓ The oscillating motion can be switched on and off by pressing the <left> and <right> arrow keys at the same time.

- 5** Test the <Lady shower> button.



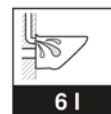
- ✓ The device performs a shower cycle. Pressing the <Lady shower> button again interrupts the shower cycle.

- 6** Test the <Dryer> button.



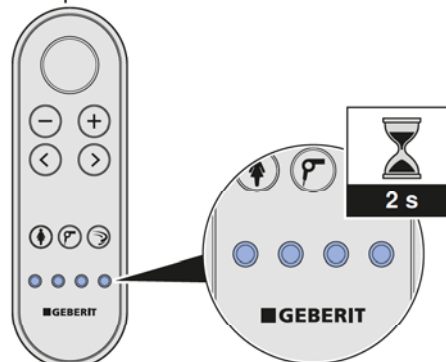
- ✓ The dryer arm extends. Warm air drying begins.

- 7** Check the <Toilet flush> button.



- ✓ The flush actuates.

- 8** Test the <User profile> 1–4 button. Perform tests as follows: Start the shower procedure. Adjust the spray arm position. Press the user profile button.



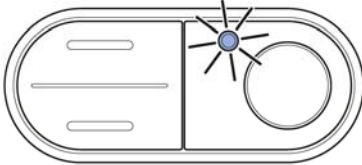
- ✓ The spray arm moves back to the factory setting position.
- ✓ All buttons are assigned a user profile.

Resetting the storage water heater

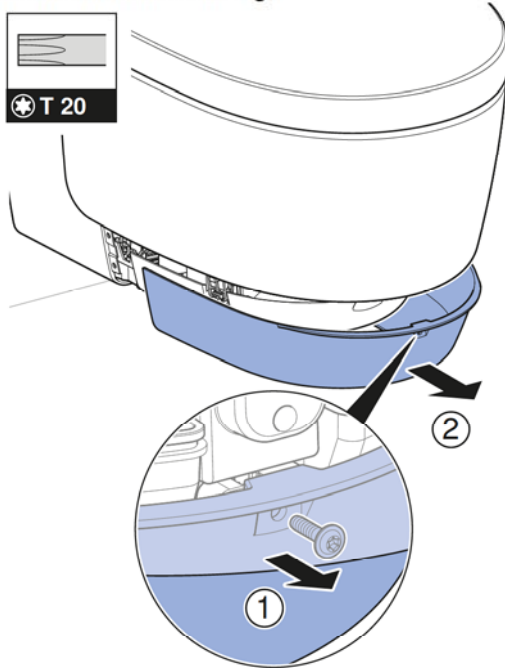
i If the storage or transport temperature exceeds 45 °C, the thermal cut-out will be tripped.

Prerequisite

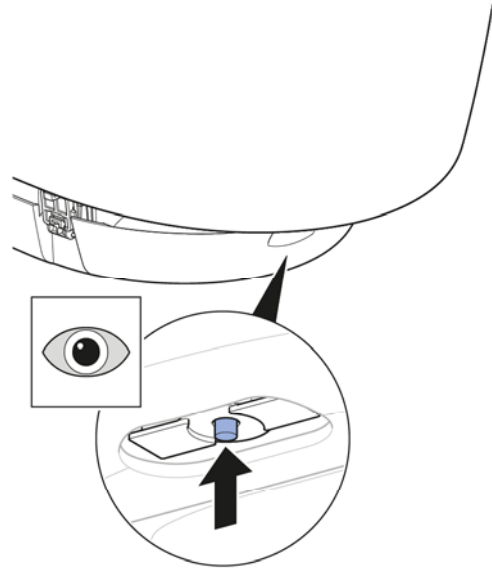
- The status LED on the lateral control panel flashes red.



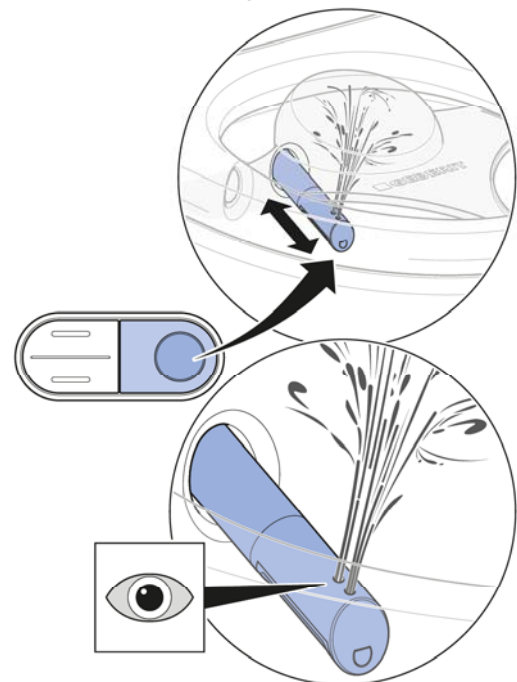
1 Demount front cladding.



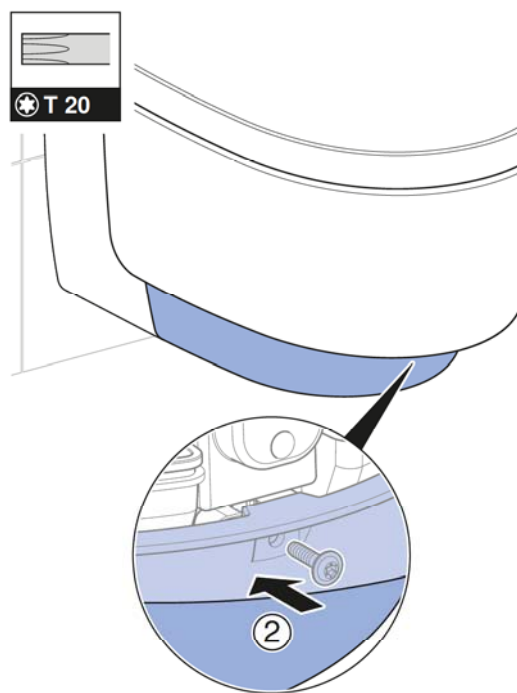
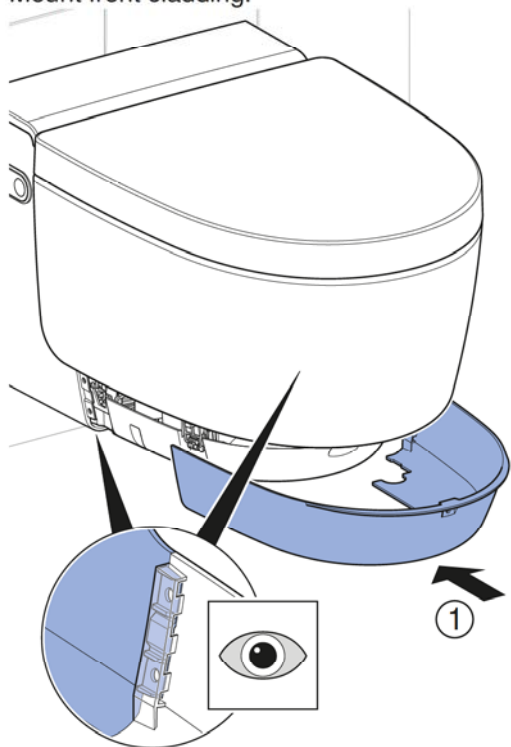
2 Reset the thermal cut-out of the storage water heater.



3 Activate the shower procedure.



- ✓ The device initialises after switching on. The status LED on the lateral control panel flashes blue.

4 Mount front cladding.

If the status LED flashes red:

- Switch off device, wait 30 seconds and then switch device back on.

If the status LED continues to flash red after taking these measures, contact customer service.

Adjusting basic settings to customer's wishes

Classic model

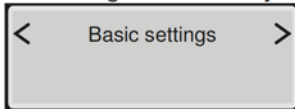
i The basic settings of the device are set from the rear of the remote control.

i The following steps are shown in shortened form. See user manual for an overview of the complete menu.

Prerequisite

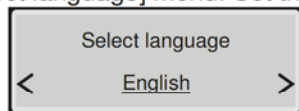
- The function test of the device was performed successfully.
- The testing of the remote control was performed successfully.

1 Call up the [Basic setting] main menu via the <left>/<right> arrow key.

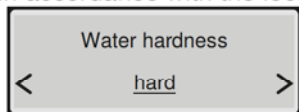


i Select submenus with the <up> and <down> arrow keys. Configure settings with the <left> and <right> arrow keys.

2 Call up the [Select language] menu. Set the menu language.



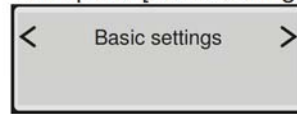
3 Call up the [Water hardness] menu. Set the hardness value in accordance with the local water hardness.



Range	° fH	° dH	° eH
soft	≤ 15	≤ 8	≤ 11
medium	15–25	8–14	11–18
hard	> 25	> 14	> 18

i Set to [hard] if you do not know the local water hardness.

4 Call up the [Basic settings] menu.



Result

- ✓ The settings are saved.
- ✓ The device is installed correctly.

Commissioning

Putting the device into operation

Prerequisite

- Function test using the lateral control panel was performed successfully.
- Function test of the remote control was performed successfully.
- The device is installed correctly.

1 Remove the spray shield.



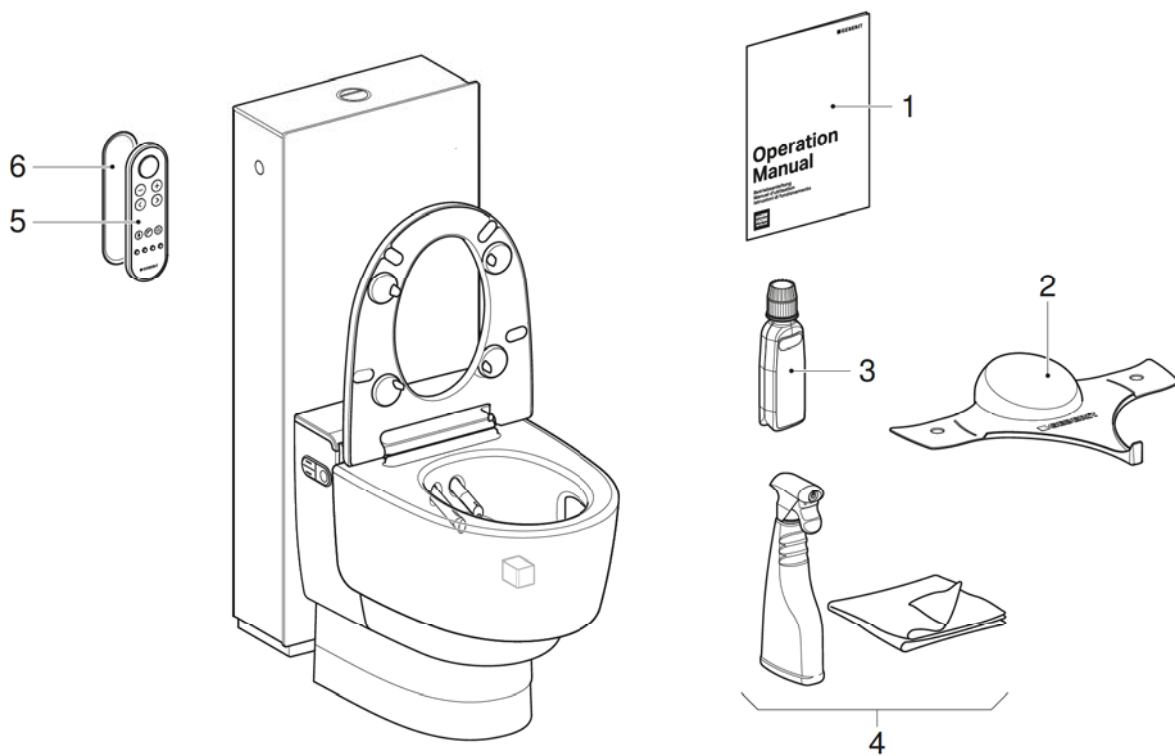
2 Clean the device.

3 Close the WC seat and WC lid.

Result

- ✓ The device is ready for operation and can be handed over to the customer.

Handing over the device



- 1 User manual
- 2 AquaClean spray shield
- 3 AquaClean descaling agent
- 4 AquaClean cleaning set
- 5 Remote control
- 6 Wall-mounted holder for remote control

Prerequisite

- Initial commissioning was performed successfully.
- All components are operable and undamaged.

- 1** Attach a second serial number sticker to the last page of the user manual so that it is available for later use.
- 2** Instruct the customer with regard to operation and cleaning, as per the user manual.
- i** Provide information on the annual descaling cycle. For detailed information on operation and cleaning, see user manual.
- 3** Hand over complete end user documentation and scope of delivery.
- 4** Fill in the warranty card together with the customer, attach the serial number sticker and send it to Geberit.



taylordolman

tel: 0845 838 0600

email: info@taylordolman.com

www.taylordolman.com