



GHZ Ceiling Hoist

Discreet and elegant

- ***The GHZ ceiling hoist blends perfectly into the room and is almost invisible when not in use***
- ***Low built-in height increases the lifting height***
- ***Easy to use and install***

A discreet and almost invisible ceiling hoist system which offers a safe, comfortable and efficient solution for the lifting and transferring of persons with loss of function and an ergonomically safe working environment for the healthcare staff. The GHZ lifting module runs inside the traverse rail. This minimizes the built-in dimensions and adds to the lifting height which is often a crucial factor in rooms with lower ceiling heights.

If a through-going rail system is chosen – which provides complete coverage and an effective and direct transfer e.g. bedroom to bathroom – the traverse rail/GHZ ceiling hoist can be parked discreetly whilst the lifting hanger and sling can be stored out of sight in a built-in cupboard.

All operation elements are clearly defined and intuitive to use. GHZ ceiling hoist is easy to clean due to the sleek and simple design.

The GHZ solution is easy to install in both new and existing buildings. When mounting in walls it will automatically compensate for non-aligned (oblique) walls with up to 80 mm.

The GHZ can also be used for gait training, balance training and personal care tasks.



GHZ Ceiling Hoist Solution

– with “over the wall rail system”

Discreet and elegant

- The system blends perfectly into the room and is almost invisible when not in use
- Integrated two-sided cupboard for storage of hanger and slings



Easy and efficient

- Easy and economical to install
- Easy to remove and re-install
- Installation directly on all kinds of walls
- Flexible traverse rail automatically compensates for non-aligned (oblique) walls with up to 80 mm
- Max lifting capacity: 255 kg

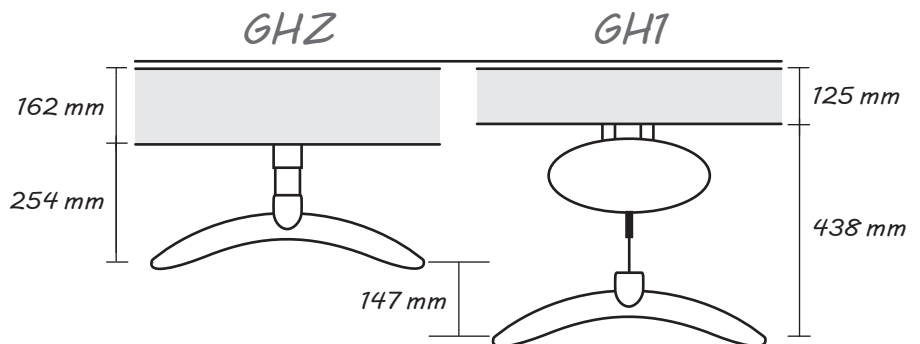


Simple and flexible system

- Complete coverage and effective transfer from room to room
- Consecutive, comfortable and smooth movement
- Easy to operate

Improved lifting height

Compared with other ceiling hoists the GHZ offers valuable lifting height.



| Time to care |

taylordolman

tel: 0845 838 0600
 email: info@taylordolman.com
 www.taylordolman.com

GHZ Ceiling Hoist is patented by Guldmann.
 Patent no. P15872