



Free-standing single rail system, adjustable Technical specifications

Functions

Max. capacity : 255 kg

Weight and Materials

Free-standing single rail system, adjustable
2,0 m - 2,5 m - 3,0 m:

Total weight : 49,5 kg - 52 kg - 54,5 kg

Top brackets and rail : 22,5 kg - 25 kg - 27,5 kg

Vertical poles w. feet : 13.5 kg each

Rail and poles : Anodized aluminium
Feet : Powder varnished steel
Brackets : Powder varnished steel

Measurements

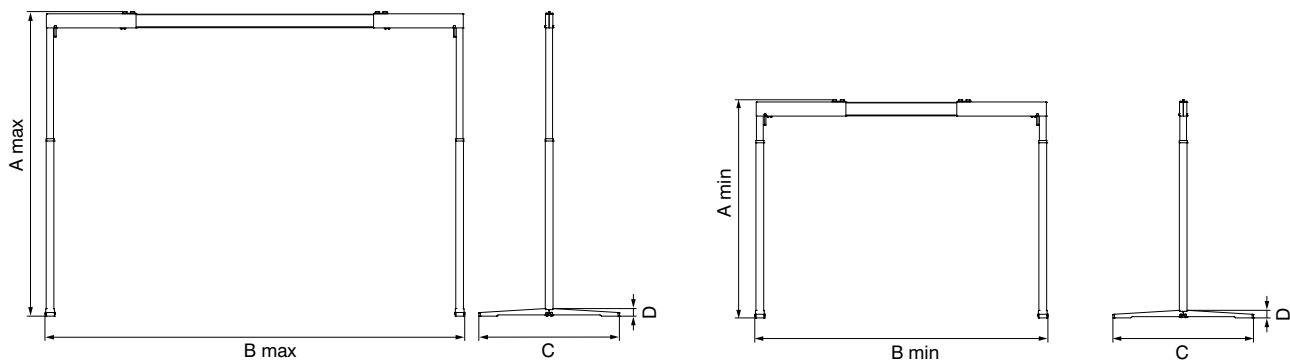
A min : 2020 mm
B min : 2220 mm - 2720 mm - 3220 mm
A max : 2820 mm
B max : 3390 mm - 3890 mm - 4390 mm
C : 1303 mm
D : 71 mm

Labelling

The product is manufactured in compliance with the Council Directive 93/42/EEC of June 14th 1993, including amendments, as medical device class 1.

Item Number/Model

553000 : Free-standing single rail system, adjustable 2,5 m
556000 : Free-standing single rail system, adjustable 2,0 m
556297 : Free-standing single rail system, adjustable 3,0 m



Time to care