



Ropox Bathtub

Electric height adjustable bath for optimal comfort for the user and carer.

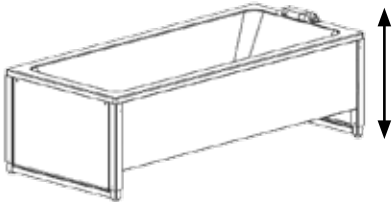
There is plenty of space under the bathtub and is accessible from both sides, which makes it possible to use mobile lifts.

The design and clean lines make the tub is easy to clean.

taylordolman

ROPOX™
BETTER WAYS TO BETTER DAYS

TECNICAL INFORMATION

Model	Size	Item nr.
	160 x 70 cm	40-14156
	170 x 75 cm	40-14157
	180 x 80 cm	40-14158

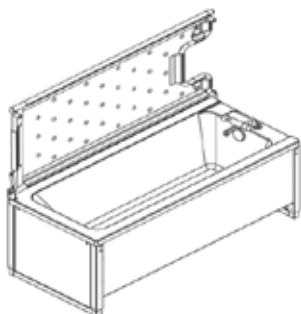
Tecnical data:

Max. user weight load: 350 kg
 Height adjustable: 61-91 cm
 Inside depth: 40 cm
 Inside width: 57, 62 og 67 cm
 Color: White RAL 9010
 Material: Acryl, coated and stainless steel, aluminum

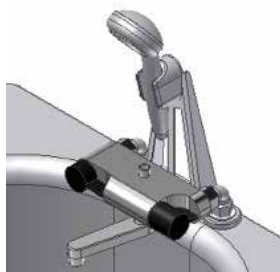
Ropox Bathtub incl. hand shower and mixer tap.

Accessory:

Shower bed for installation on the tub. Contact Ropox for the different variants.



Support for hand shower
 V-nr. 40-14120



Bed Guard for bathtub
 V-nr. 40-14186 for 160 cm
 V-nr. 40-14187 for 170 cm
 V-nr. 40-14188 for 180 cm



Brake wheels incl. fittings (4 pcs.)
 V-nr. 40-14111 til 160 cm
 V-nr. 40-14112 til 170 cm
 V-nr. 40-14113 til 180 cm



ABOUT US

Ropox develops, manufactures and markets products for installation in the homes of physically disabled people.

Through many years of collaboration with users and treatment groups we have acquired expertise in the design of solutions and products for:

- Shower rooms
- Kitchens
- Tables
- Nursing tables

To get more information visit our website www.ropox.com

No.1962206-1115

taylordolman

tel: 0845 838 0600
 email: info@taylordolman.com
www.taylordolman.com

ROPOX[™]
 BETTER WAYS TO BETTER DAYS