



## Turning disc for use on floor & Max Transfer Band Technical specifications

### TURNING DISC FOR USE ON FLOOR

#### Functions

Lifting capacity, max : 200 kg

#### Weight and Materials

Turning disc : 2,0 kg

Coating : Grey non-slip rubber

Turning disc : Grey PVC

Ball bearings : Rustproof steel

#### Measurements

A. : 330 mm

B. : 375 mm

C. : 20 mm

#### Accessories/Miscellaneous

Max transfer band : Offers a safe and comfortable support when used together with the turning disc

#### Service and Guarantee

User Information : Manual is included

Guarantee : 1 year

Marking : CE-marked

#### Item Number/Model

50010 : Turning disc for use on floor

ISO-Number : 12 30 06

### MAX TRANSFER BAND

#### Functions

Lifting capacity, max. : 175 kg

#### Weight and Materials

MAX transfer band : 0,2 - 0,5 kg

Outer side : White nylon band with red handholds

Inderside : Non-slip, net-woven nylon.

#### Measurements

A. Small : 1170 mm

Medium : 1370 mm

Large : 1570 mm

B. : 100 mm

#### Accessories/Miscellaneous

Turning disc : Relieves the pressure on hips and knees when patient is turned around

#### Service and Guarantee

User information : Manual included

Guarantee : 1 year

Marking : CE-marked

#### Item Number/Model

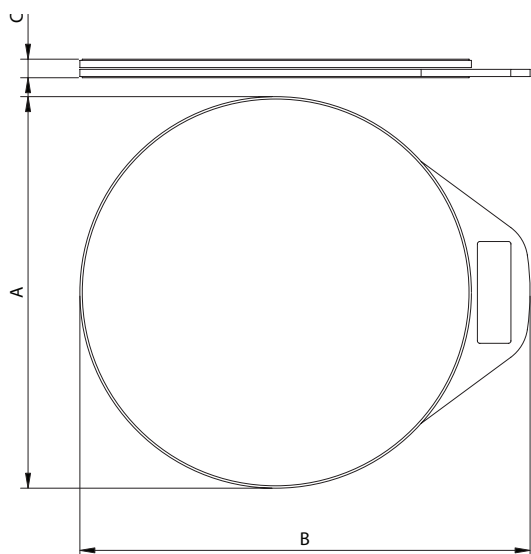
28351 : Small

28352 : Medium

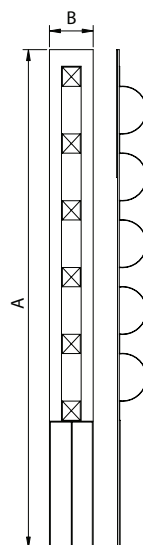
28353 : Large

ISO-Number : 12 30 15

### TURNING DISC FOR USE ON FLOOR



### MAX TRANSFER BAND



Time to care