



Digital Scale Model RS Technical specifications

Functions

Lifting capacity, max.	: 300 kg/660 lbs
min.	: 2kg/4,4 lbs
Weight range	:
Item No. 560604	: 0-300 kg/0-660 lbs
Item No. 560640	: 0-300 kg/0-660 lbs
Display type	: LCD 25 mm with 5 digits
Display resolution:	
Item No. 560604	: 0,1 kg/0,22 lbs
Item No. 560640	: 0,1 kg/0,22 lbs
	:

Weight and Materials

Weight	: 0,95 kg/2,09 lbs
--------	--------------------

Measurements

H	: 155 mm
W	: 120 mm
D	: 60 mm

Electrical Parts

On	: Press the ON/OFF button
Off	: Automatically/manually
Battery	: 6 x 1,5 V Type AAA Alkaline batteri
Battery life	: Approx. 400 hours

Classification, tightness

Digital Scale	: IP 54
---------------	---------

Accessories

Adaptor for Digital scale	: Delivered with the digital scale
---------------------------	------------------------------------

Labelling

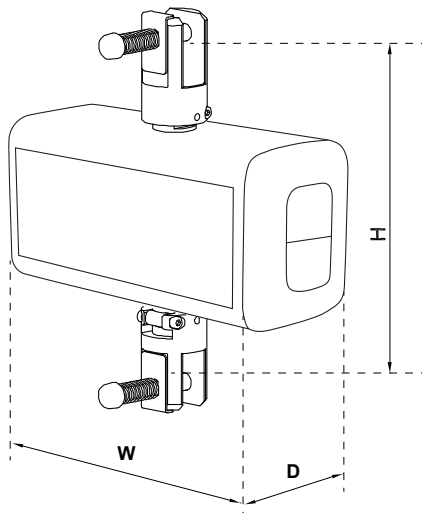
The product is manufactured in compliance with the Council Directive 93/42/EEC of June 14th 1993, including amendments, as medical device class 1.

Item Number/Model

550604	: Digital scale Class III Model RS
	Verifiable
560640	: Digital scale Model RS

Classification

according to ISO 9999	: 09 48 06
-----------------------	------------



| Time to care |