



**Guldmann Mobile lifter GL5.2 – 80 mm castors**  
**Technical specifications**

**Functions**

Lifting capacity, max : 155/205 kg  
 Lifting speed with 85 kg load : 36 mm/sec  
 Number of lifts per charging : 50 lift with 85 kg  
 Lifting interval : 1302 mm

**Operation**

Lift : Electric  
 Width adjustment : Electric

**Weight**

Totally : 44 kg  
 Chassis : 22 kg  
 Mast + lifting boom : 22 kg  
 Hand control : 0.25 kg

**Measurements**

A. : 44 mm  
 B. : 118 mm  
 C. : 1988 mm  
 D. : 1340 mm  
 E. : 393 mm  
 F. : 630 mm  
 G. : 1320 mm  
 H. min/max : 640/1942 mm  
 I. min/max : 431/1734 mm  
 J. min/max : 530/1300 mm  
 K. min/max : 695/1410 mm

**Turning radius**

Turning radius: : 1460 mm

**Safety Features**

Emergency stop : Yes  
 Emergency lowering : Yes, electronic. Mechanical on request  
 Protection against trapping : Yes

**Electrical parts**

On/off : Automatically  
 Integrated Power supply for charging  
 Input : 120-240Vac, 50-60 Hz, 30 VA  
 Battery, replaceable : 25.2 V / 2.6 Ah  
 Charging time : Max. 4 hours  
 Consumption/power of actuator : 24V, max 8A  
 Duty Cycle : Max 10%, max. 2 min on, 18 min off.  
 Battery protection : Switches off automatically at low voltage. Diode light up to indicate critical voltage.

**Class of tightness**

Mobile hoist : IP 30  
 Hand control : IPX 4  
 Integrated Power supply : IPX 6  
 Battery : IPX 6  
 Actuator : IPX 4

**Accessories/ Miscellaneous**

: - Lifting hanger  
 - External charger

**Labelling**

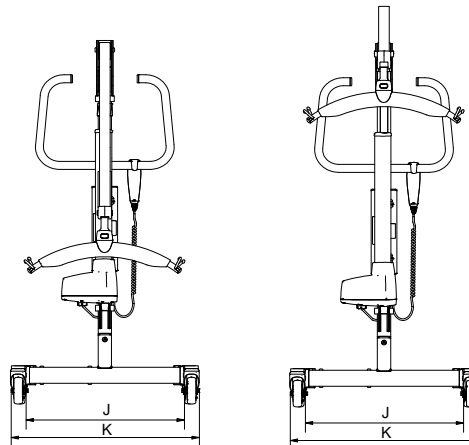
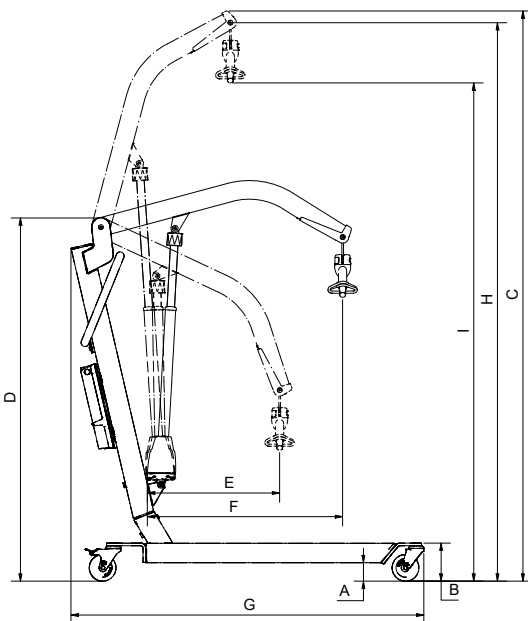
The product is manufactured in compliance with regulation (EU) 2017/745 of the European parliament and of the Council of 5 April 2017, as medical device Class I.

**Item Number/Model**

562310 : 205 kg, 80 mm castors  
 562311 : 155 kg, 80 mm castors  
 562314 : 205 kg, 80 mm castors, manual lowering  
 532315 : 155 kg, 80 mm castors, manual lowering

**Classified**

acc. to ISO 9999 : 12 36 03



**Time to care**



**Guldmann Mobile lifter GL5.2 – 100 mm castors**  
**Technical specifications**

**Functions**

Lifting capacity, max : 155/205 kg  
Lifting speed with 85 kg load : 36 mm/sec  
Number of lifts per charging : 50 lift with 85 kg  
Lifting interval : 1302 mm

**Operation**

Lift : Electric  
Width adjustment : Electric

**Weight**

Totally : 44 kg  
Chassis : 22 kg  
Mast + lifting boom : 22 kg  
Hand control : 0.25 kg

**Measurements**

A. : 69 mm  
B. : 143 mm  
C. : 2013 mm  
D. : 1365 mm  
E. : 393 mm  
F. : 630 mm  
G. : 1325 mm  
H. min/max : 664/1967 mm  
I. min/max : 456/1759 mm  
J. min/max : 530/1300 mm  
K. min/max : 695/1410 mm

**Turning radius**

Turning radius: : 1460 mm

**Safety Features**

Emergency stop : Yes  
Emergency lowering : Yes, electronic. Mechanical on request  
Protection against trapping : Yes

**Electrical parts**

On/off : Automatically  
Integrated Power supply for charging  
Input : 120-240Vac, 50-60 Hz, 30 VA  
Battery, replaceable : 25.2 V / 2.6 Ah  
Charging time : Max. 4 hours  
Consumption/power of actuator : 24V, max 8A  
Duty Cycle : Max 10%, max. 2 min on, 18 min off.  
Battery protection : Switches off automatically at low voltage. Diode light up to indicate critical voltage.

**Class of tightness**

Mobile hoist : IP 30  
Hand control : IPX 4  
Integrated Power supply : IPX 6  
Battery : IPX 6  
Actuator : IPX 4

**Accessories/ Miscellaneous**

: - Lifting hanger  
: - External charger

**Labelling**

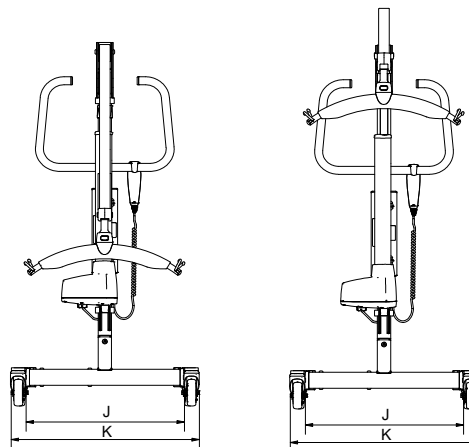
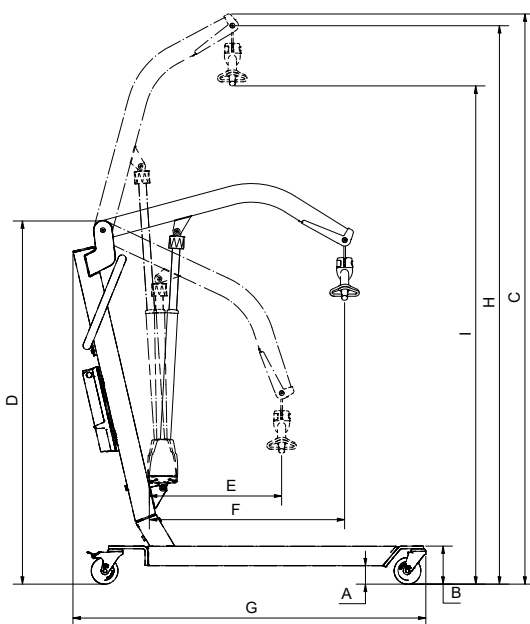
The product is manufactured in compliance with regulation (EU) 2017/745 of the European parliament and of the Council of 5 April 2017, as medical device Class I.

**Item Number/Model**

562308 : 205 kg, 100 mm castors  
562309 : 155 kg, 100 mm castors  
562312 : 205 kg, 100 mm castors, manual lowering  
562313 : 155 kg, 100 mm castors, manual lowering

**Classified**

acc. to ISO 9999 : 12 36 03



**Time to care**