



GH Combi-lock Technical specifications

Function

Usage : Ensures the joining of
Guldmann rail systems

Weight

Combi-lock : 2,1 kg
Safety lock
on fixed rail : 1,1 kg
on traverse rail : 1,0 kg

Materials

Safety lock
on fixed rail : Rustproof steel
on traverse rail : Rustproof steel
Covers : Plastic

Measurements

A : 114 mm
B : 99 mm
C1 : 195 mm
C2 : 175 mm
D1 : 280 mm
D2 : 100 mm
E : 119 mm

Markings

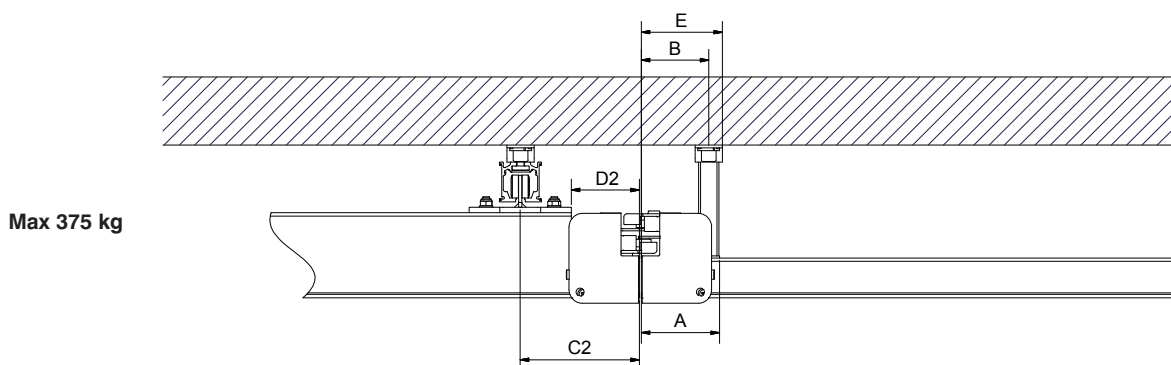
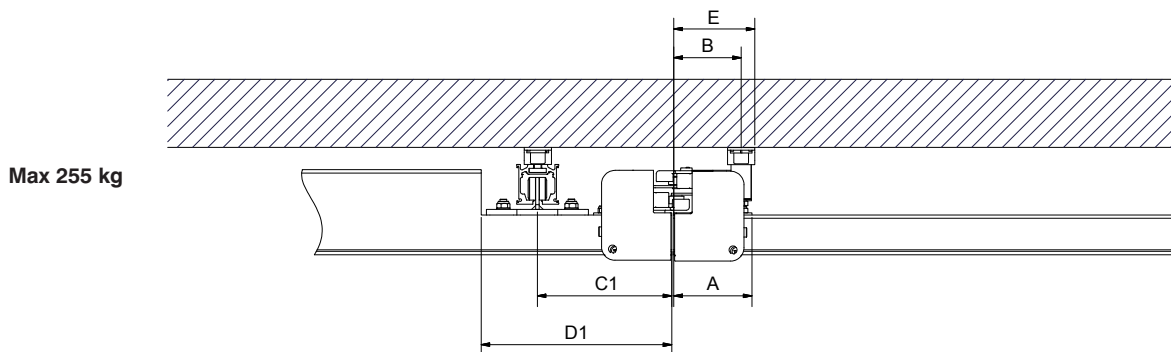
The product is manufactured in compliance with the Council Directive 93/42/EEC of June 14th 1993, including amendments, as medical device class 1.

Item Number/Model

555237 : GH Combi-lock

Patents

: Patent Pending
Design Protected



| Time to care |