



Fixed Height

7104.01 & 7104.02

Caprice Baths

Bathing in comfort

Fixed Height

The highly affordable fixed height **Caprice** is ideal for users who have reasonable mobility and are able to step in and out of the bath independently or with some assistance. If users need to be hoisted, there is plenty of room under the bath to allow for a mobile hoist.

With its *Sense* control panel and blending valve, **Caprice** meets the legal requirements of TMV3. The *Sense* system is touch-free to minimise cross-contamination and features anti-scald security.

The fixed height **Caprice** additionally comes with an integrated thermostatically controlled patient shower for hair and upper body washing. The shower can also be used for cleaning the appliance after use.

Caprice is made from high quality glass reinforced fibreglass for durability and is designed for industrial use, such as in hospitals and nursing homes. It comes complete with a 3 year warranty so you can be confident it provides long-term reliability and value for money for overall peace of mind.

Caprice Baths

Bathing with ease

Variable Height

The stylish variable height **Caprice** takes the aches and pains out of daily bathing routines. This model features push-button high/low adjustment for a safer, more comfortable nursing height. The height adjustment also enables the bath to be lowered to allow those with reasonable balance and mobility to step in and out. If users need to be hoisted, there is plenty of room under the bath to allow for a mobile hoist.

With its *Sense* control panel and blending valve, **Caprice** meets the legal requirements of TMV3. The *Sense* system is touch-free to minimise cross-contamination and features anti-scald security.

The variable height **Caprice** additionally comes with an integrated thermostatically controlled patient shower for hair and upper body washing. The shower can also be used for cleaning the appliance after use.

Caprice is made from high quality glass reinforced fibreglass for durability and is designed for industrial use, such as in hospitals and nursing homes. It comes complete with a 3 year warranty so you can be confident it provides long-term reliability and value for money for overall peace of mind.



Variable Height
7103.01 & 7103.02



Variable Height with Integrated Hoist

7101.01 & 7101.02

Caprice Baths

Effortless bathing

Variable Height with Integrated Hoist and Transfer System

The advanced **Caprice** with variable height adjustment and an integrated hoist and transfer system features the latest bathing technology. Designed to ease the stress and strain of the daily transfer and bathing routine, the user can easily be transferred in and out of the bath and the tub height adjusted at the press of a button. This makes light and dignified work of transfers, reducing the risk of back ache and pain for the care worker. The low profiling integral hoist saves space in the bathroom, allowing more room to work and eliminating the serious trip hazard of a mobile hoist. The transfer system and hoist are made from non-corrosive stainless steel and can also be used as a wet room shower chair or over a toilet commode.

With its *Sense* control panel and blending valve, **Caprice** meets the legal requirements of TMV3. The *Sense* system is touch-free to minimise cross-contamination and features anti-scald security. The advanced **Caprice** additionally comes with an integrated thermostatically controlled patient shower for hair and upper body washing. The shower can also be used for cleaning the appliance after use.

Caprice is made from high quality glass reinforced fibreglass for durability and is designed for industrial use, such as in hospitals and nursing homes. It comes complete with a 3 year warranty so you can be confident it provides long-term reliability and value for money for overall peace of mind.

Caprice Baths

Bath

- ▶ Reinforced fibreglass bath and frame
- ▶ Height adjustable via 2 x 24V electric actuators
- ▶ IP67 rated lite touch control
- ▶ Integral shower system

Lifter

- ▶ Steel chassis
- ▶ Polyurethane foam seat and backrest
- ▶ Stainless steel seating system and transfer chassis
- ▶ Four pivoting brake castors Ø 125mm
- ▶ Polyurethane foam folding footrests

Versions

- ▶ RH - 7104.02 / LH - 7104.01 Caprice bath (Fixed height)
- ▶ RH - 7103.02 / LH - 7103.01 Caprice bath (Variable height)
- ▶ RH - 7101.02 / LH - 7101.01 Caprice bath (Variable height with integrated hoist and transfer system)

Mains Electrical Requirements

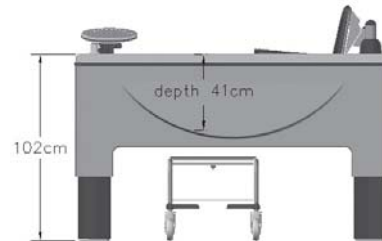
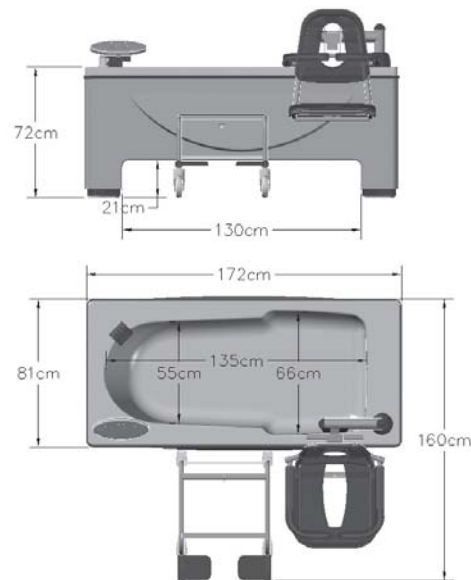
- ▶ Mains power: 230V-50hz-180w
- ▶ Battery backup system

Options

- ▶ HydroSpa
- ▶ ColourSpa
- ▶ AromaSpa
- ▶ AudioSpa

Conformity

- ▶ 73/23 CEE (Low voltage directive)
- ▶ 89/336/CEE (EMC directive)
- ▶ NF EN 60335-1 (Electric standard)
- ▶ NF EN 60335-2-60 (Electric standard)
- ▶ NF C 15-100 (Low voltage electric installation)
- ▶ NF EN 1717 (Anti-pollution)
- ▶ TMV3 - D08 - WRAS



Integral hoist and seating system



Integral hoist provides effortless transfers into baths