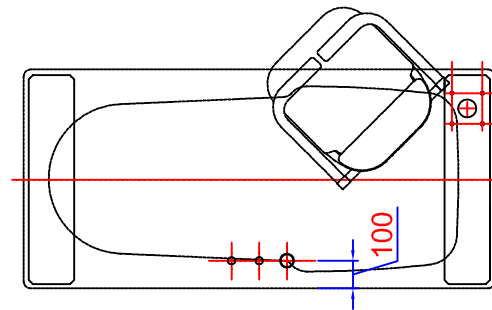
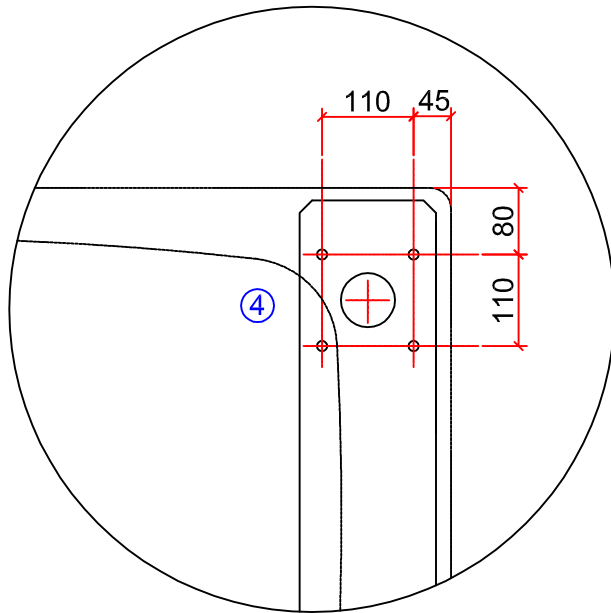
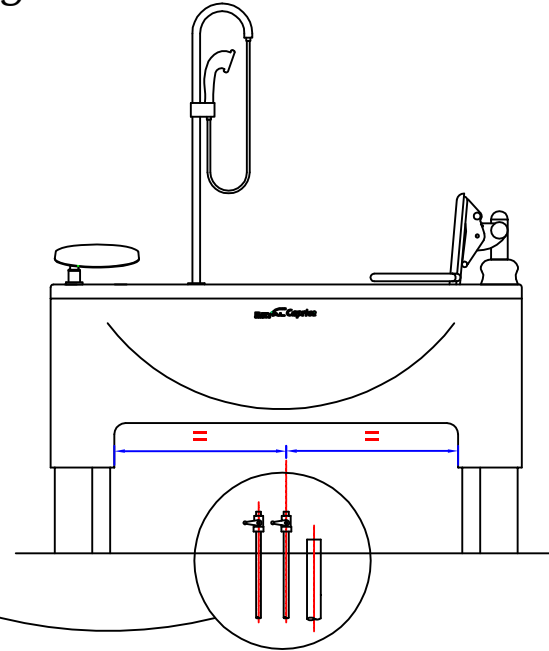
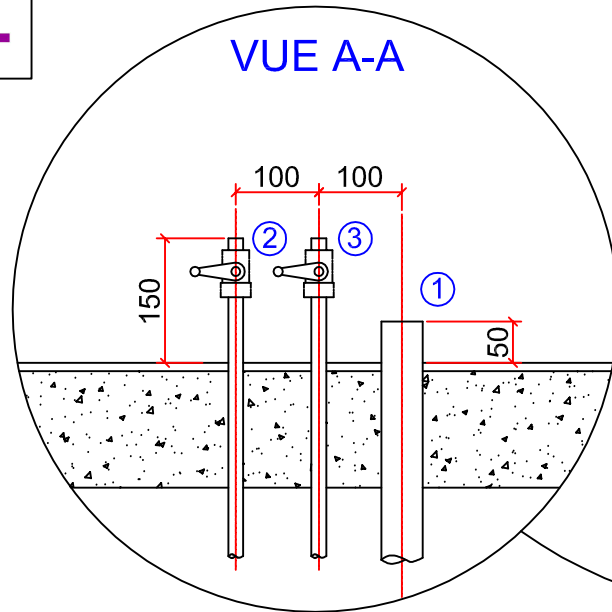


Plumbing :

- 1) PVC waste (Ø43mm) located as shown above should be positioned 50mm from the ground to ensure effective drainage. (with tub in low position).
- 2 & 3) The hot and cold water feeds on to the bath should be 22mmØ push fit. Two 22mmØ isolation valves should be installed as detailed in the diagram above to allow the water supply to be isolated during servicing. Hot and cold feeds should protrude no more than 150mm out of the ground.

4 Electricity Supply :

The electrical supply terminal box "PLEXO" IP*5, should be positioned at 300mm from the ground and at 600mm minimum from the bathtub. A single phase cable of 3x2,5mm² protected by a differential circuit breaker 3A (curve D), with a differential current of 30mA or a circuit breaker 10A (curve D) with the whirlpool option. The Terminal box should be positioned as illustrated (11) the single phase power feed to the bath should be adequately protected by trunking at all times to avoid damage to the cable.



Plumbing :

- 1) PVC waste (Ø43mm) located as shown above should be positioned 50mm from the ground to ensure effective drainage. (with tub in low position).
- 2 & 3) The hot and cold water feeds on to the bath should be 22mmØ push fit.
- Two 22mmØ isolation valves should be installed as detailed in the diagram above to allow the water supply to be isolated during servicing. Hot and cold feeds should protrude no more than 150mm out of the ground.

4 Electricity Supply :

The electrical supply terminal box "PLEXO" IP*5, should be positioned at 300mm from the ground and at 600mm minimum from the bathtub. A single phase cable of 3x2,5mm² protected by a differential circuit breaker 3A (curve D), with a differential current of 30mA or a circuit breaker 10A (curve D) with the whirlpool option. The Terminal box should be positioned as illustrated (11) the single phase power feed to the bath should be adequately protected by trunking at all times to avoid damage to the cable.